

3006100042

DSP-25 EExmNT 25W - 1x cable gland

Ex horn speaker, Ex db eb mb IIB+H2 T5 Gb, 1x cable gland



- ✓ 25W
- ✓ 1x M20 plastic cable gland
- ✓ Tappings: 1W - 2W - 4W - 6W - 12,5W - 25W
- ✓ Ex db eb mb IIB+H2 T5 Gb

 IP66  IP67  IEC Ex Intercom  Atex

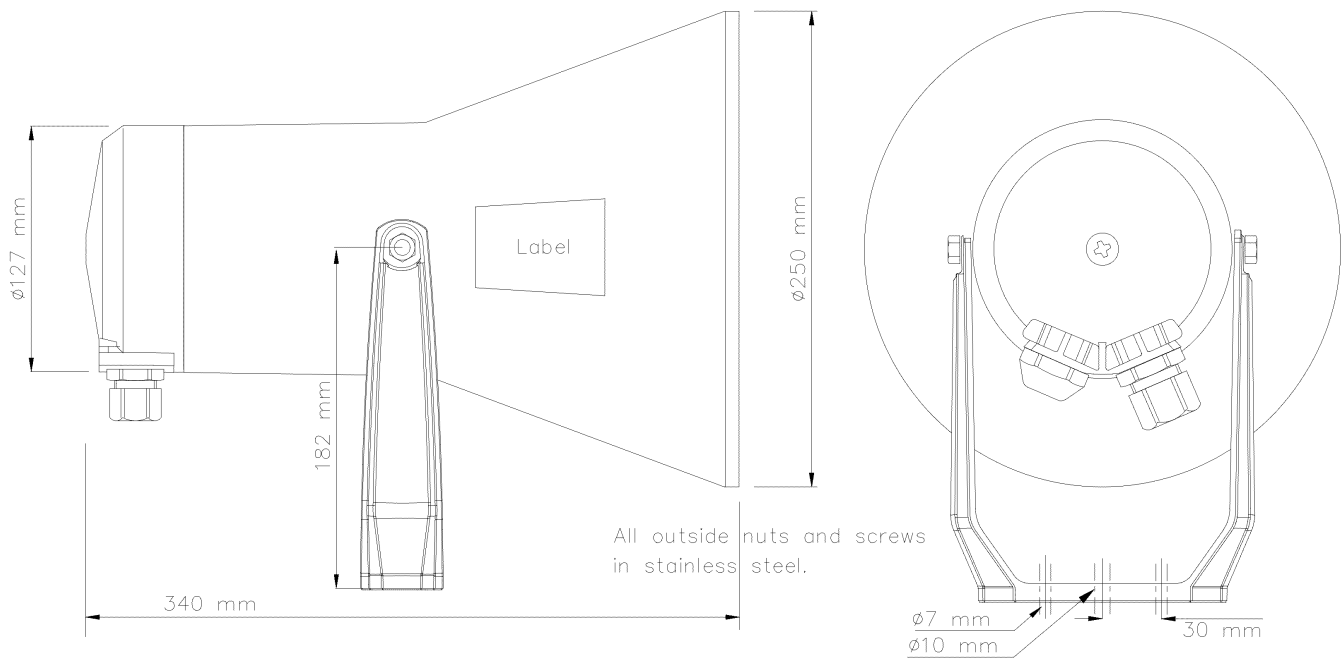
Description

- ✓ With 100V line transformer
- ✓ Rated/max. power: 25W
- ✓ Tappings: 1W - 2W - 4W - 6W - 12,5W - 25W
- ✓ Material: Antistatic PA / Black
- ✓ Bracket and all outside nuts and screws in stainless steel

When mounting the loudspeaker, please ensure that it is re-assembled in the same manner in which it was received.

- ✓ Fasten bracket with 1-3 screws.
- ✓ To change the position of the loudspeaker, please adjust the standard U- bracket (by loosening/tightening the screws) as required.
- ✓ For optimum performance, always use the correct voltage/power and operate within the frequency limits as stated.
- ✓ Use only certified/specified cable glands and blanking plugs. Do not open loudspeaker when energized.
- ✓ Fasten lid with a torque of 3 Nm.

Technical Dimensions



Specifications

GENERAL

Material / Color	Anti-static PA / Black
Mounting	Bracket
Termination	e-chamber, push terminals
Weight w/ transformer	4,0 kg
IP-rating	IP-66/67
Max / min amb temp.	55°C / -50°C
Rated / max. power	25 W / 25 W
SPL 1W/1m	108 dB
SPL rated power	120 dB
Effective freq range	370-7500 Hz
Dispersion (-6dB) 1kHz / 4kHz	98° / 29°
Directivity factor, Q 1kHz	3,7
Fuse	Thermal fuse- 84°C, 2x Short-circuit protection fuses
Environmental Condition	Exposed