

4000015280

HP-6CTF

Mini Horn Loudspeaker, 6W, 100V, IP67



- ✓ Suitable for outdoor and indoor installation
- ✓ IP67
- ✓ EN 45545-2 compliant
- ✓ 70V / 100V
- ✓ Tappings: 0.5W - 1.5W - 3W - 6W



Onboard communication



IP67

Description

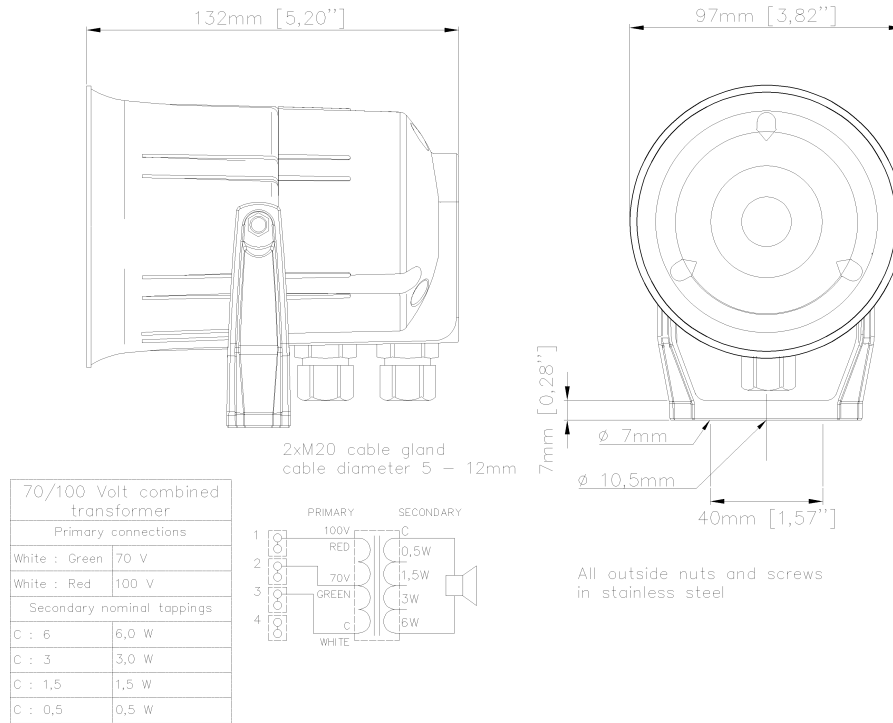
The HP -6CTF is a compact 6 W horn speaker delivering a powerful 100 dB SPL at 1W/1m. Built from durable UL94 V0 polyamide and rated IP67, it ensures reliable performance in harsh indoor and outdoor environments. With a frequency range of 300–20000 Hz, wide dispersion, and a robust mounting bracket, the HP -6CTF is ideal for public address, safety, and industrial communication systems.

Installation, Operation and Maintenance Procedures

- ✓ Remove the lid and lead cable through the cable gland.
- ✓ Connect to terminal 70V: white-green or 100V: white-red.
- ✓ Select the required power by changing the position of the black wire connected to the transformer; choose according to the label inside the loudspeaker.

- ✔ Fasten bracket with 1-3 screws.
- ✔ Fasten the lid with a torque of 1.5 Nm.
- ✔ To change the loudspeaker's position, please adjust the bracket (by loosening/tightening the screws) as required.
- ✔ For optimum performance, always use the correct voltage/power and operate within the frequency limits as stated.

Technical Dimensions



Specifications

GENERAL

Rated power	6 W
SPL 1 W / 1 m	100 dB
SPL rated power	107 dB
Effective frequency range	300 - 20000 Hz
Dispersion (-6dB) 1kHz / 4kHz	178° / 62°
Enclosure material / Color	Polyamide / RAL 7035
Mounting material	Plastic bracket
Dimensions	Ø97 x 132D mm
Termination	Spring clamps
Connection	2x M20 cable gland
M20 cable gland sealing range	5 - 12 mm
Weight	0.62 kg
IP-rating	67
Max. / min. ambient temperature	110°C / -40°C
Thermal protection	Integrated thermal fuse
Environmental Condition	Exposed