

2131000124

BLC-550T Sauna

Wall loudspeaker 6W, for sauna



- ✓ 100V line
- ✓ Tapping: 0,5W - 0,9W - 1,5W - 2W - 3W - 6W

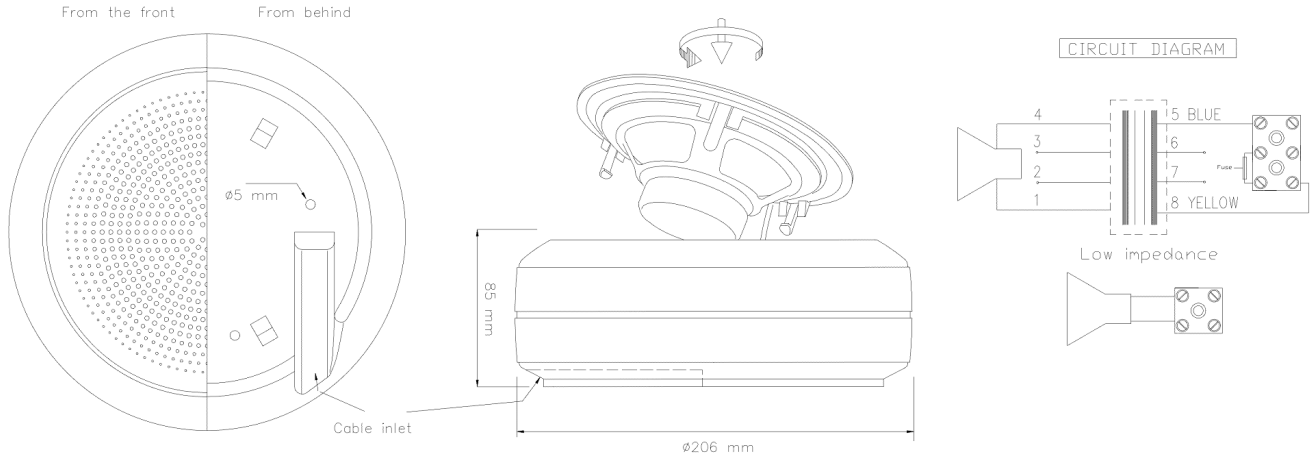
Description

Specially designed loudspeaker made with components and materials that can withstand hot and humid environments.

Installation, Operation, and Maintenance Procedures

- ✓ Open the loudspeaker by turning the grill counterclockwise.
- ✓ Lead cable through the cable inlet, connect to the terminal, and select the required tapping on the transformer.
- ✓ Screw the cabinet to the wall or ceiling with four screws. When installed into a wall the cable inlet should point downwards to ensure IP degree.
- ✓ Screw the loudspeaker front gently clockwise into a fixed position.
- ✓ For optimum performance, always use the correct voltage/power and operate within the frequency limits as stated.
- ✓ Do not open the loudspeaker when energized.

Technical Dimensions



Specifications

GENERAL

Material/Colour	PA6 / Black
Mounting	Four screws
Termination	Ceramic terminal
Weight	0,93 kg
Max./min.amb.temp	125°C / -30°C
Rated power	6W
SPL 1W/1m	86 db
SPL Rated Power	93 db
Effective freq. Range	150 – 11000 Hz
Dispersion (-6dB) 1kHz / 4kHz	160° / 70°
IP when mounted	IP33
Environmental Condition	Protected