

4000014933

HP-10TF

Hornspeaker 10W



- ✓ 70V /100V line
- ✓ 10W
- ✓ Tapping: 1W - 2,5W - 5W - 10W

 IP66 IP67

Description

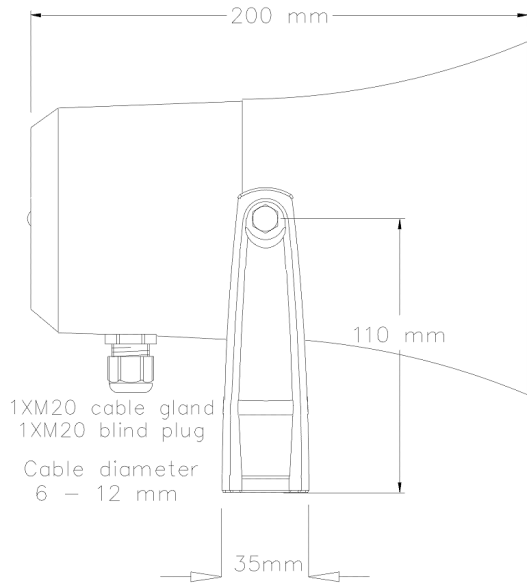
- ✓ Horn Loudspeaker for open deck and machinery spaces.
- ✓ Excellent for P.A. / Intercom
- ✓ With transformer for 70V / 100V amplifier line
- ✓ 2x M20 cable gland and fuse

To install the loudspeaker:

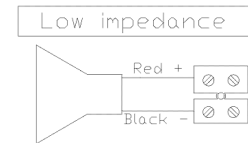
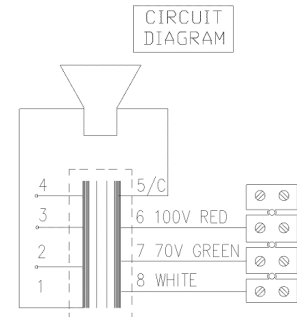
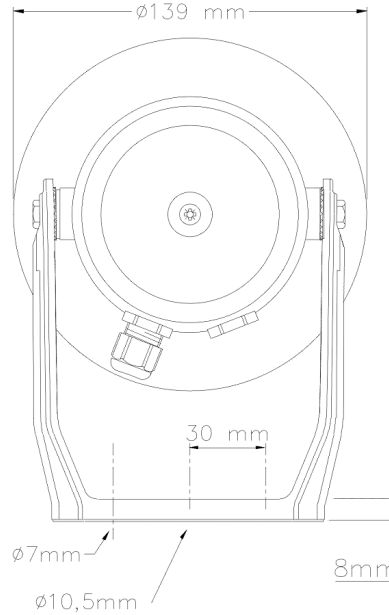
- ✓ Unscrew the lid, lead cable through the cable gland, connect to the terminal (70V or 100V), and select the required tapping onto the transformer by moving the red wire.
- ✓ Fasten the lid with a torque of 1.5 Nm.

- ✔ Fasten the bracket to the wall or ceiling with 1 to 3 screws. Available with stainless steel bracket
- ✔ To change the loudspeaker's position, please adjust the bracket (by loosening / tightening the screws) as required.
- ✔ For optimum performance, always use the correct voltage/power and operate within the frequency limits as stated.
- ✔ Do not open the loudspeaker when energized.

Technical Dimensions



All outside nuts and screws in stainless steel



Specifications

GENERAL

Material / Colour	Ronfalin C110 (PC+ABS) / RAL 7035
Dimensions	Ø 139 x 200D
Mounting	Bracket
Termination	Screw terminal
Weight	1,1 kg
Max. / min. amb. temp	90°C / -50°C
Rated power	10W
SPL 1W / 1 m	107 dB
SPL rated power	117 dB
Effective freq. range	370 – 12000 Hz
Dispersion (-6dB) 1kHz / 4kHz	155° / 52°
Ingress protection	IP66/67
Environmental Condition	Exposed