

2340020068

CAREEX-6T

Ex Loudspeaker Double Faces 6 W

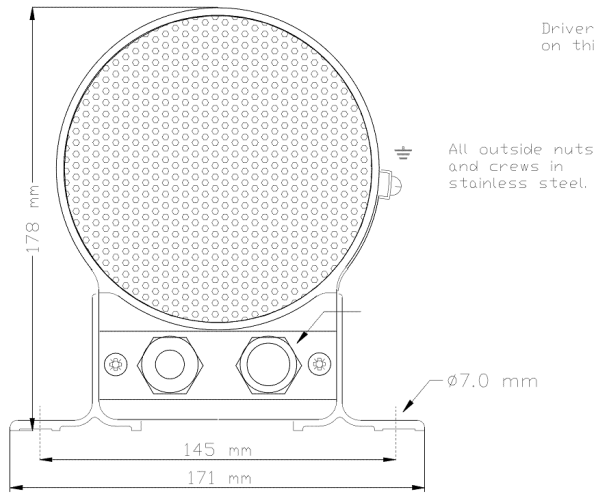


- ✓ Aluminum double faced loudspeaker
- ✓ Made for cabins, hallways, etc. in hazardous areas
- ✓ 100 V line transformer
- ✓ Adjustable tapping plugs
- ✓ Tapping: 0,3W - 0,5W - 1W - 1,5W - 3W - 6W

Description

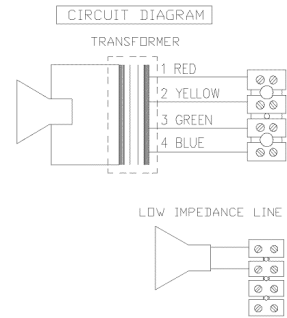
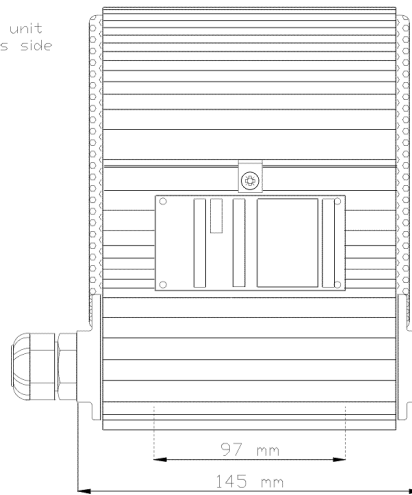
- ✓ Fasten loudspeaker to wall or ceiling with four screws by use of the extruded aluminum brackets on each side.
- ✓ Enter the e-chamber by loosening the screws on the lid and terminating the cable in the screw terminal.
- ✓ Fasten lid screws with a torque of 2 – 2,2 Nm to assure the IP rating.
- ✓ For optimum performance, always use the correct voltage/power and operate within the frequency limits as stated.
- ✓ Use only certified/specified cable glands and blanking plugs.
- ✓ Standard model delivered with two M20 Ex-approved plastic blinding plugs.
- ✓ Do not open the loudspeaker when energized.
- ✓ Ex-loudspeakers must be earthed correctly using the specially marked screws.

Technical Dimensions



Standard model delivered with two M20
Ex approved plastic blinding plugs

Driver unit
on this side



Specifications

GENERAL

Material / Color	Aluminum / anodized
Mounting	Foot bracket
Termination	E-chamber, screw terminals
Weight (with transformer)	3,6 kg
IP rating (e-chamber)	IP-67
Max. / min. amb. temp	40°C / -20°C
Rated / Max power	6 W / 15 W
SPL 1W / 1 m	90 dB
SPL rated power	97 dB
Effective frequency range	160 – 16000 Hz
Dispersion (-6dB) 1kHz / 4kHz	200° / 40°
Environmental Condition	Exposed