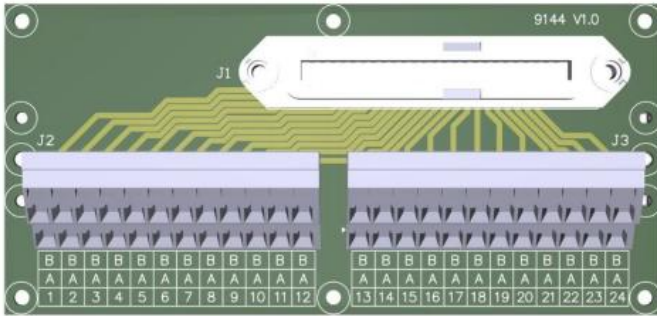


117220002x

ICX-LCM-IP2W

Wiring kit for NV-PL-0xx switches

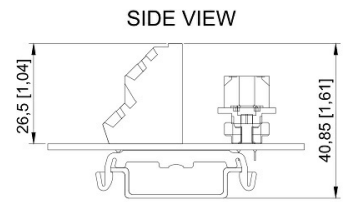
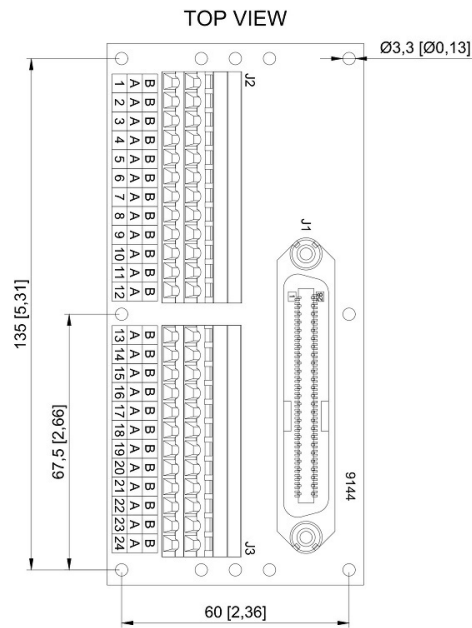
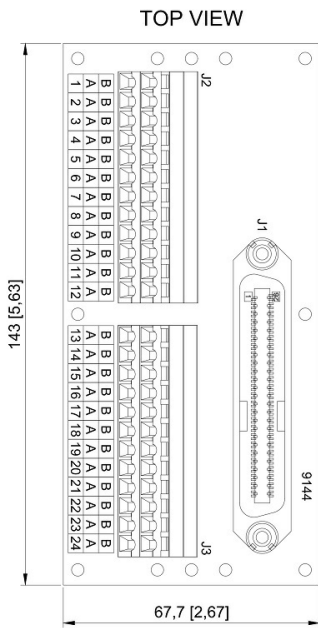


- ✓ Complete wiring kit for NV-PL-024 or NV-PL-048 switches
- ✓ Includes termination board and cable for connection to switch
- ✓ Push-in terminals for easy connection of IP over two-wire extensions
- ✓ Delivered together with 2x Wago 209-120 for DIN rail mounting

Description

Complete wiring kit for NV-PL-024 and NV-PL-048 IP over two-wire switches with each termination board supporting up to 24 two-wire extensions and cable for connection to the switch.

Technical Dimensions



Zenitel and its subsidiaries assume no responsibility for any errors that may appear in this publication, or for damages arising from the information therein. Zenitel products are developed and marketed by Zenitel. The company's Quality Assurance System is certified to meet the requirements in NS-EN ISO 9001. Zenitel reserves the right to modify designs and alter specifications without notice.

ZENITEL PROPRIETARY. This document and its supplementing elements, contain Zenitel or third party information which is proprietary and confidential. Any disclosure, copying, distribution or use is prohibited, if not otherwise explicitly agreed in writing with Zenitel. Any authorized reproduction, in part or in whole, must include this legend; Zenitel – All rights reserved.

Specifications

PRODUCT VARIANTS

1172200022	Wiring for NV-PL-024 switch, 24 lines, incl. cable and term. board
1172200023	Wiring for NV-PL-048 switch, 48 lines, incl. cable and term. board

GENERAL SPECIFICATIONS

Number of two-wire extensions	1172200022: 24 1172200023: 48
Dimensions (termination board)	143 x 67,7 x 26,5 mm (HxWxD)
Connector type	RJ21 Telco connector
Cable length	2 m

Used With



NV-PL-024-F

24 port IP over two-wire switch



NV-PL-048-F

48 port IP over two-wire switch