

2320000633

## SEAS 1030D

TV/Radio Satellite outlet (incl. cover)



---

---

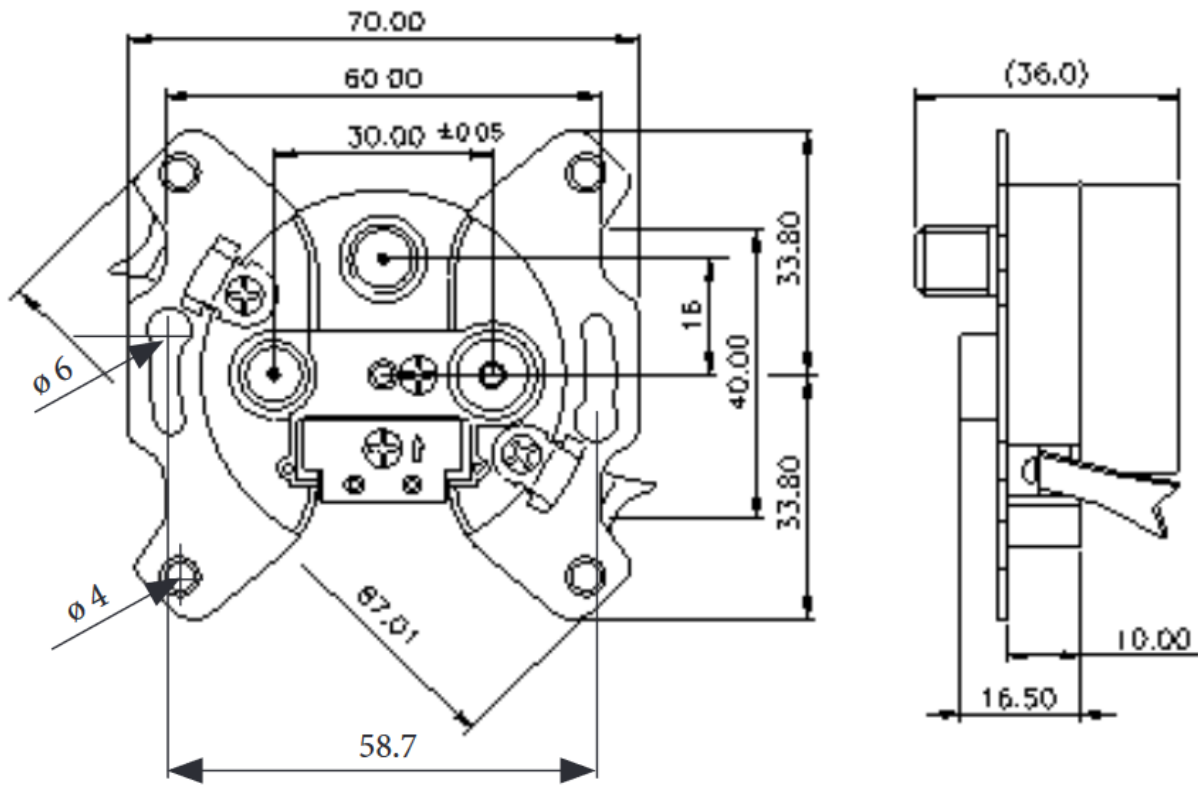
## Description

SEAS 1030D is a new outlet that comply with the latest industry standards and that covers both FM and DAB radio signals.

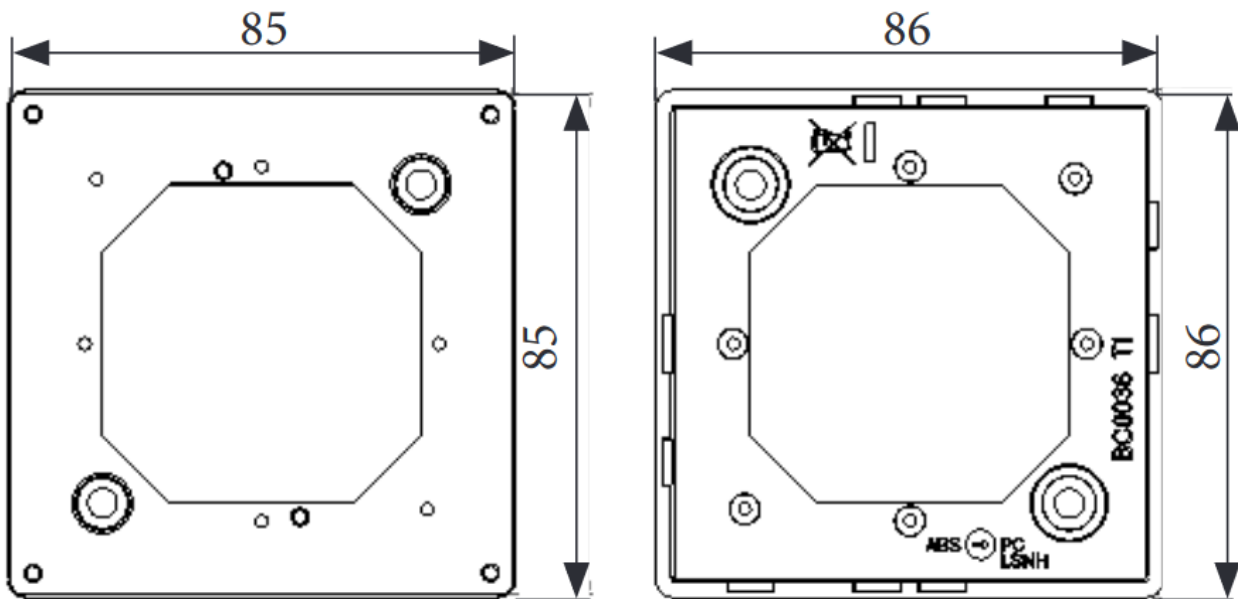
The outlet is designed for marine use covering the complete TV and Radio frequency worldwide as well as Satellite insert.

Surge protection makes it suitable for digital signals. For each splitter or tap-off output you need one SEAS outlet.

## Technical Dimensions



## MECHANICAL MEASUREMENTS Metal Housing



# Specifications

## TECHNICAL SPECIFICATION

Size	(H) 86 x (W) 86 x (D) 32 mm	
Cover	White RAL 9010	
Weight	0.140Kg	
Frequency range	TV	40-862 MHz
	R	4-400 MHz (FM/DAB+/partly AM)
	Sat	950-2150 MHz; 2150-2400 MHz
Insertion loss	TV	40-862 MHz 4,5dB
	R	40-70 MHz 3,5dB
	SAT	950-2150 MHz 1,5 +/- typ. 1,5dB
		2150-2400 MHz 2 +/- typ. 1.5dB
Isolation	TV-R	4-862 MHz 20dB min.
	TV-Sat	40-2400 MHz 17dB min.
	R-Sat	40-860 MHz 20dB min.
Return loss	IN	40-2400 MHz 8dB min.
	TV	40-862 MHz 8dB min.
	R	40~400 MHz 10dB min.
	Sat	950-2400 MHz 8 dB min.
DC pass	IN<->Sat	500 mA max.
	IN<->TV, IN<->Radio	None
Connectors	TV	IEC male
	R	IEC female
	Sat	F female
Impedance	75 Ohms	
Operation temp.	-40 to +60°C	

## Used With



### SEAS 4020

Line amplifier, up to 16 outlets (+20db)



### SEAS 4030

Line amplifier, up to 32 outlets (+30db)



### SEAS 4040

Line amplifier, up to 48 outlets (+36/42db)



### SEAS 4041

Line amplifier, up to 56/64 outlets (+36/44dB) built-in modulator