

2211000621

IP DECT Base 1G9 PoE

IP Base Station



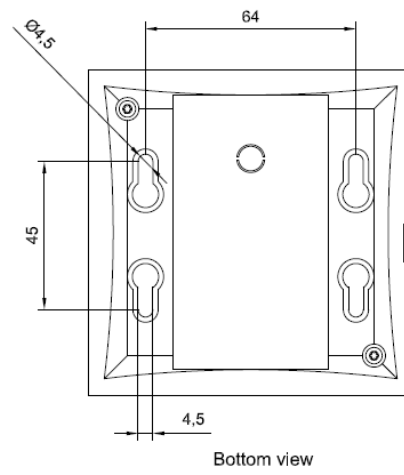
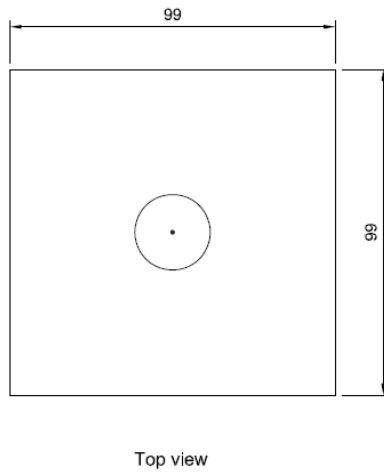
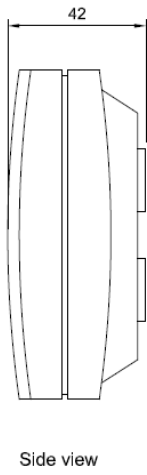
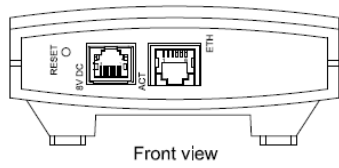
- ✓ for KWS6x00 Spectralink
- ✓ 12 simultaneous traffic channels (32 Kbit/s)
- ✓ Interoperates with all Spectralink DECT Servers
- ✓ Connect an external antenna to extend the coverage
- ✓ Base station radio coverage between 20 and 200 m

Description

IP DECT 1G9 Base Station 1G9 PoE is designed for the or KWS6x00 Spectralink. It has the following key features including 12 simultaneous traffic channels (32 Kbit/s) and the ability to connect an external antenna to extend the coverage. It interoperates with all Spectralink DECT Servers and has base station radio coverage between 20 and 200 m

IP DECT 1G9 Base Station 1G9 PoE is powered from the PoE enabled LAN network or from an external power supply (not included) and is certified for use under Marine EMC requirements.

Technical Dimensions



Specifications

GENERAL

Size	100 x 100 x 38 mm
Weight	0.12 kg
Operating temperature	-10 to 40°C
Power supply	PoE or optional external power supply (item no 2211100225)
Typical power consumption	2W
Number of speech channels	12
RF Output	20 to 24 dBm at antenna connection
Typical range	Indoor: 20-50 m, Outdoor: up to 300 m
Frequency Range	1920-1930 MHz

ACCESSORIES

2211100225	Local power supply for IP DECT 400 server and IP DECT base station
------------	--

Used With



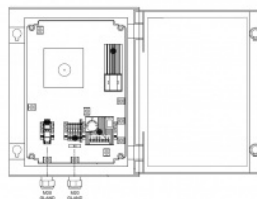
KWS6500

IP DECT Server for 30 users, including software licence



IP DECT 400 Server 1G9 version

Server Base Station



IP DECT base station 1G9

Base Station