

2310131043

EXF2230-52-A4 ExSite Enhanced Series 2 Camera

Exproof Camera



- ✓ 2MP
- ✓ 30x Zoom
- ✓ Stainless Steel Fixed Camera
- ✓ 4m armored cable with gland, T5

ONVIF ONVIF Conformant



Onboard communication



IP66



IP67



Atex



H.264

Description

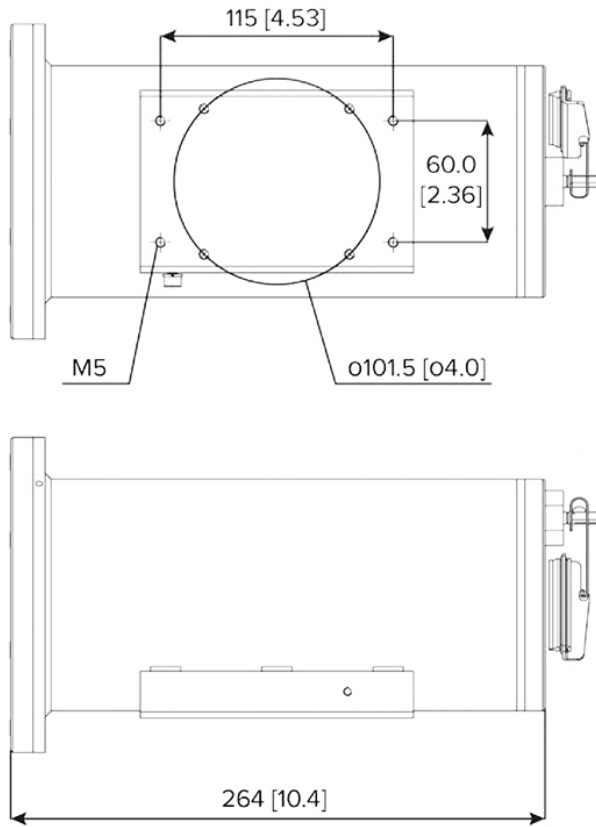
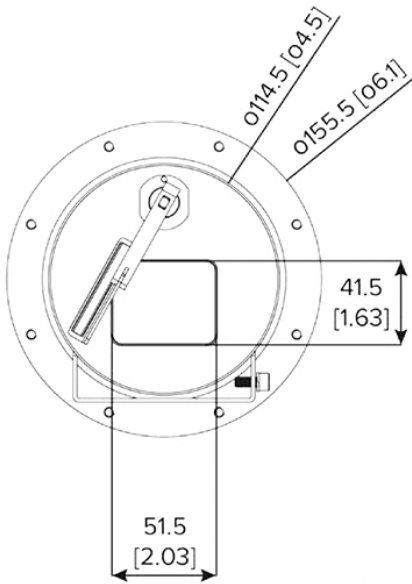
The EXF2230-52-A4 ExSite Enhanced Series 2 Camera is purpose-built to monitor operations and control processes in hazardous locations with risks of explosion, due to the presence of flammable liquids, gases, or dust. The camera's heavy-duty housing meets stringent explosion-proof and dust ignition-proof requirements while complying with international standards (UL, CSA, ATEX, IECEx, EACEx, KCs, UKEx, INMETRO) and is built with AISI 316L stainless steel construction for exceptional resistance to corrosion, which guarantees efficient video surveillance in offshore marine environments.

EXF2230-52-A4 ExSite Enhanced Series 2 Camera

It provides operators crisp and clear evidence with up to 30X optical zoom with true WDR and low light capabilities for challenging lighting conditions common to hazardous areas. H.264 AND H.265 smart compression technology retains image quality and critical information while reducing and bandwidth requirements to lower cost of ownership. The camera is also ONVIF® COMPLIANT with ONVIF Profile S, T, G and Q. This compliance allows easy integration with existing ONVIF infrastructures.

The EXF2230-52-A4 ExSite Enhanced Series 2 Camera allows users to see in total darkness or blinding light within hazardous environments.

Technical Dimensions



Values in parentheses are inches; all others are millimeters.

Specifications

IMAGE PERFORMANCE

Image Sensor	1/2.8" progressive scan CMOS
Maximum Resolution (H x V)	1920 (H) x 1212 (V)
Aspect Ratio	16:9
Min Illumination	0.1 lux (F/1.6) in color mode; 0.03 lux F/1.6) in monochrome
Dynamic Range	WDR Off: 83dB, WDR On: Up to 120dB
Image Ratio	Up to 60 fps
Aspect Ratio (Resolution Scaling)	Down to (16:9) 384x216 or (5:4) 320x256
3D Noise Reduction Filter	Yes

LENS

Lens	F1.6, 4.3-129 mm (30x zoom) remote focus and zoom
Angle of View	Horizontal: (16:9) 3.1° - 64.0°, Vertical:(16:9) 1.7° - 38.0°
Zoom	Up to 30x

IMAGE CONTROL

Video Compression	H.264 and H.265 Pelco Smart Compression, Motion JPEG
Streaming	Multi-stream H.264, Multi-stream H.265, Motion JPEG
Motion Detection	Pixel motion: Selectable sensitivity and threshold. Classified object detection
Electronic Shutter Control	Automatic, Manual (1/1 to 1/30,000 sec)
Iris Control	P-Iris, Automatic, Open, Closed
Day/Night Control	Mechanical IR cut filter. Automatic, Manual
Flicker Control	60 Hz, 50 Hz
White Balance	Automatic, Manual
Backlight Compensation	On/Off
Privacy Zones	Up to 64 zones
Digital Defog	Adjustable/Off

IMAGE CONTROL

Video Compression	H.264 and H.265 Pelco Smart Compression, Motion JPEG
Streaming	Multi-stream H.264, Multi-stream H.265, Motion JPEG
Motion Detection	Pixel motion: Selectable sensitivity and threshold. Classified object detection
Electronic Shutter Control	Automatic, Manual (1/1 to 1/30,000 sec)
Iris Control	P-Iris, Automatic, Open, Closed
Day/Night Control	Mechanical IR cut filter. Automatic, Manual
Flicker Control	60 Hz, 50 Hz
White Balance	Automatic, Manual
Backlight Compensation	On/Off
Privacy Zones	Up to 64 zones
Digital Defog	Adjustable/Off

NETWORK

Network	100BASE-TX
Ports	RJ45 connector (CAT5E cabling)
ONVIF	ONVIF compliance Profile S, Profile T, and Profile G (www.onvif.org)
Security	Password protection, HTTPS encryption, digest authentication, WS authentication, user access log, 802.1x port based authentication
Protocols	IPv6, IPv4, HTTP, HTTPS, SOAP, DNS, NTP, RTSP, RTCP, RTP, TCP, UDP, IGMPv2, ICMP, DHCP, Zeroconf, ARP, HSTS
Streaming Protocols	RTP/UDP, RTP/UDP multicast, RTP/RTSP/TCP, RTP/RTSP/HTTP/TCP, RTP/RTSP/HTTPS/TCP, HTTP
Device Management Protocols	SNMP v2c, SNMP v3

MECHANICAL

Dimensions (ØxL)	Ø155.5 mm x 264.0 mm; Ø6.12" x 10.4" (dimensions without sunshield)
Weight	With 4m cable: 8.5 kg (18.7 lbs); with 10m cable: 12.0 kg (26.5 lbs.)
Construction	AISI 316L stainless steel
Finish	Electro-polished surface
Wiper	Yes
Cable Entry	3/4" NPT
Cable Gland	Ex db and tb 3/4" NPT and preinstalled armored cable or with tail cable
Armored Cable Option	External diameter: 20.5 mm (0.81") ± 0.5 mm (0.2") Diameter under armature: 16.0 mm (0.63") Color: black RAL 9005 Composition: 3 × 2.5 mm ² (13 AWG), 7 × 0.34 mm ² (22 AWG), 4 × 2 × 0.20 mm ² (24 AWG) (cat. 5E)
Cable Tail Option	3 × 2.5 mm ² (13 AWG), external diameter 8.7 mm (0.34") 7 × 0.34 mm ² (22 AWG), external diameter 6.4 mm (0.25") 4 × 2 × 0.22 mm ² (24 AWG) (cat. 5E), external diameter 7.9 mm (0.31")

ELECTRICAL

Local Storage	MicroSD/microSDHC/microSDXC slot, up to 2 TB supported - video speed class card required. Class V10 or better recommended.
Power Consumption	53 W
Input Voltage (Power)	VDC: 12 V ± 5% (3.5A), VDC: 24 V ± 5% (2.2A), VAC: 24 V ± 10% (2.2A) at 50/60 Hz
Alarm Inputs	1
Relay Outputs	1 (1A, 30 VAC/60 VDC max)
Audio Input and Output	None

ENVIRONMENTAL

Operating Temperature	-50 °C to +60 °C (-58 °F to 140 °F)
Storage Temperature	-40 °C to +55 °C (-40 °F to 131 °F)
Humidity	10% - 95% non-condensing
Cold Start	Up to 2 hour startup delay at temperature lower than -10 °C (14 °F)

CERTIFICATIONS

Certifications/Directives	cULus, CE, UKCA, ROHS, RCM
Safety	UL/CSA 62368-1, EN/IEC 62368-1
Hazardous	ATEX (EN IEC 60079-0, EN 60079-1, EN 60079-31), IECEX (IEC 60079-0, IEC 60079-1, IEC 60079-31), EAC EX (TR CU 012/2011), INMETRO (ABNT NBR IEC 60079-0, ABNT NBR IEC 60079-1, ABNT NBR IEC 60079-31), UK Ex (EN IEC 60079-0, EN 60079-1, EN 60079-31), KCs (Employment and labor department 2016-54), cable tail versions, ETL listed for USA (UL 60079-0, UL 60079-1, UL 60079-31) cable tail versions, ETL listed for Canada (CAN/CSA-C22.2 NO. 60079-0, CAN/CSA-C22.2 NO. 60079-1, CAN/ CSA-C22.2 NO. 60079-31) cable tail versions
Environmental and Performance	EN/IEC 60529: IP66, IP67, IP68, IP69 EN 60068-2-52: salt spray UL50E: 4X, 6P
Electromagnetic Emissions	FCC Part 15 Subpart B Class A, IC ICES-003 Class A, EN 55032 Class A, EN 61000-6-3
Electromagnetic Immunity	EN 50130-4
Vibration Test	EN 50130-5, EN 60068-2-6
Warranty	3-year limited warranty. 5-year extended warranty is available.

SUPPORTED ANALYTICS EVENTS

Objects in Area	The event is triggered when the selected object type moves into the region of interest.
Object Loitering	The event is triggered when the selected object type moves into the region of interest, then stays for an extended amount of time.
Objects Crossing Beam	The event is triggered when the specified number of objects have crossed the directional beam that is configured over the camera's field of view. The beam can be unidirectional or bidirectional.
Object Appears or Enters Area	The event is triggered by each object that enters the region of interest and can also be used to count objects.
Object Not Present in Area	The event is triggered when no objects are present in the region of interest.
Objects Enter Area	The event is triggered when the specified number of objects have entered the region of interest.
Objects Leave Area	The event is triggered when the specified number of objects have left the region of interest.
Object Stops in Area	The event is triggered when an object moves into a region of interest and then stops moving for the specified threshold time.
Direction Violated	The event is triggered when an object moves in the prohibited direction of travel.
Sabotage Detection	The event is triggered when the scene unexpectedly changes.

Accessories



[NXWBS1 Stainless steel wall bracket for NXM36K](#)

Wall Mount



[EMC Filter FM1010](#)

EMC filter for Marine certification



[Ex Proof Communication Box MBX2MAA](#)

EXPLOSION-PROOF
COMMUNICATION BOX IN STAINLESS
STEEL



[Armored cable MMXCABLARM4 , 4 meter](#)

Armoured multicable with barrier gland
4m for MVX-MPX



Armoured Cable 10 meters
MMXCABLARM10

Armoured multicable with barrier gland
10m for MVX-MPX



Washer Pump WASEX2T4AT EX

WASEX WASHER PUMP WITH EX-
PROOF SOLENOID VALVE