

2310111198

## NXWBS1 Stainless steel wall bracket for NXM36K

Wall Mount

- ✓ AISI 316L Stainless Steel
- ✓ Wall Bracket with Joint



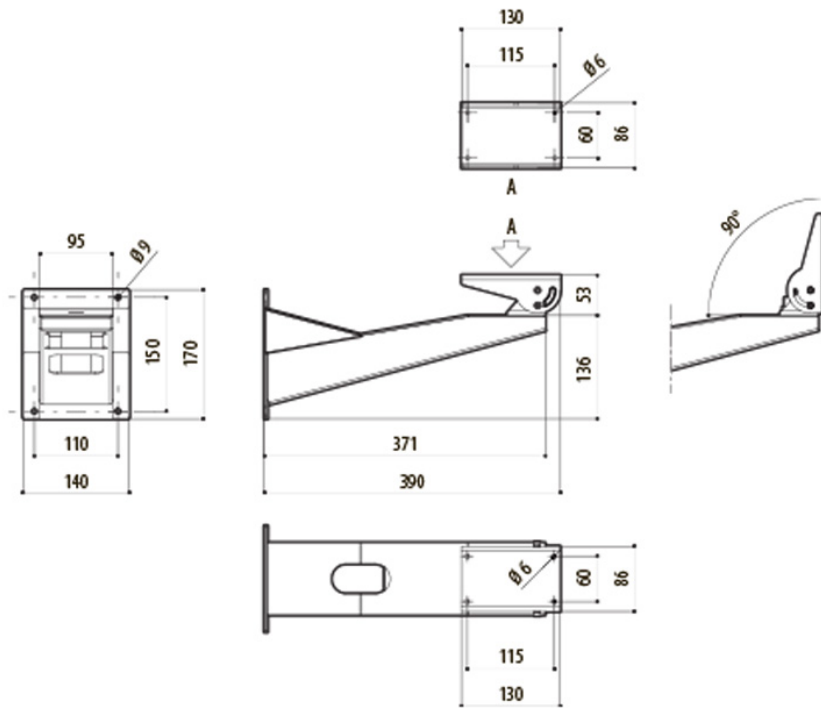
---

### Description

The NXWBS1 Wall Bracket for NXM36K, Stainless Steel is a heavy duty bracket made of AISI 316L thick gauge stainless steel. The rotation of the joint along the vertical and horizontal axes allows for a wide range of positions.

### Technical Dimensions

The indicated measurements are expressed in millimetres.



NXWB51

# Specifications

## SPECIFICATIONS

Material	AISI 316L electropolished stainless steel
Load rating	45kg
Dimensions	371x186mm
Unit Weight	2.5kg