

2310131052

## MPXWBA Wall bracket AISI 316L

Wall Bracket

- ✓ AISI 316L electropolished stainless steel
- ✓ 40 kg load rating



---

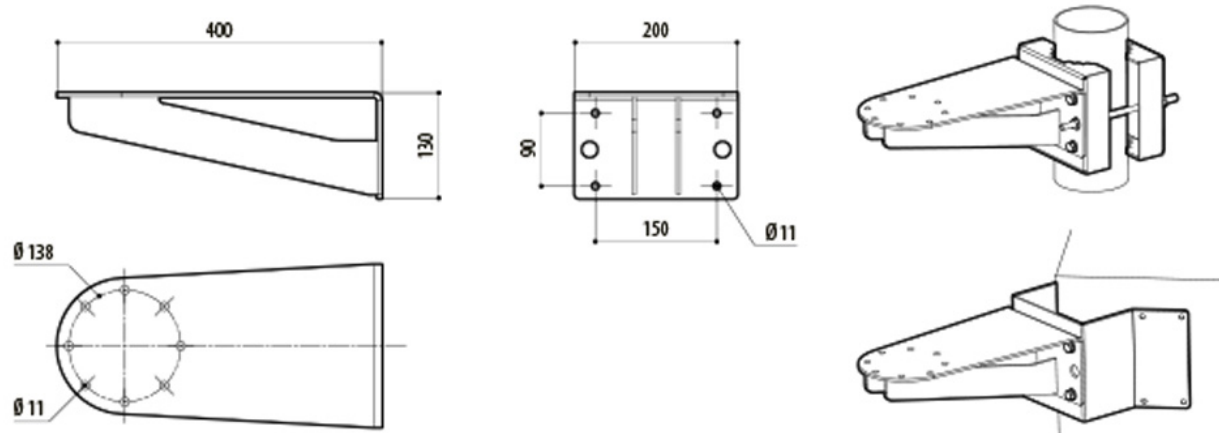
### Description

MPXWBA Wall bracket AISI 316L is a thick AISI 316L stainless steel pan & tilt bracket.

### Technical Dimensions

## TECHNICAL DRAWINGS

The indicated measurements are expressed in millimetres.



MPXWBA

# Specifications

## MECHANICAL

Material	AISI 316L electropolished stainless steel
Load Rating	40 kg
Length	400mm
Unit Weight	5.4 kg