



2310131049

EXC2602-62-A4 Ex proof Camera fixed FHD

Ex proof camera

- ✔ 1080p
- ✔ 4.9-8mm lens
- ✔ 4m arm. cable PoE+
- ✔ Up to 3200 x 1800 Resolution Wide Dynamic Range (WDR)
- ✔ Multi-Stream H.264 and H.265 IP Video with Smart Compression
- ✔ AISI 316L Stainless Steel Electro Polished Construction
- ✔ Full Suite of Built-In Analytics | Onvif Profiles S, G, and T Conformant
- ✔ Certifications: FCC Part 15, CE, cULus, ICES-003, RCM, BIS
- ✔ Hazardous Location Certifications: IECEx, ATEX, INMETRO, EAC Ex, cULus, UKEx, KCs



Description

The EXC2602-62-A4 Ex proof camera fixed FHD is purpose-built to monitor operations and control processes in hazardous locations with risks of explosion due to the presence of flammable liquids, gases or dust. It meets stringent explosion proof and dust-ignition proof requirements while complying with international standards (IECEX, ATEX, INMETRO, EAC Ex, cULus, UKEx, KCs). It provides to operators crisp and clear evidence with zoom, with true WDR, and low light capabilities for challenging lighting conditions common to hazardous areas. It is built to survive in the harshest conditions, rated IP69 it protects from water, high wind, high and low temperatures with an operating range of -40°to +65°C or +70°C. It is also resistant to corrosive elements.

The EXC2602-62-A4 Ex proof camera fixed FHD is easy to install and adaptable to most operational needs. The camera also comes standard with sun shrouds, capturing desired video regardless of the weather.

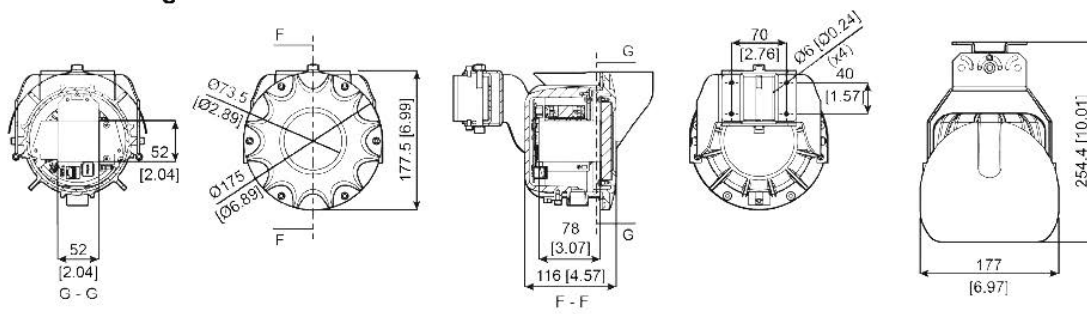
The EXC2602-62-A4 Ex proof camera fixed FHD provides industry-leading image quality using a Full HD 1080p camera producing up to 60 images per second. The camera's image defog capability increases video quality in poor visibility conditions and 3D noise filtering is available. The ex proof camera also provides flexible streaming options. The primary stream can be compressed with efficient H.265, H.264 High or Main profiles, or MJPEG formats. It can be configured to a variety of frame rates and variable bit rates to optimize image quality with bandwidth and storage efficiency.

Smart Compression is available on both H.264 and H.265, minimizing storage and bandwidth utilization. The EXC2602-62-A4 Ex proof camera fixed FHD cameras integrate with major third-party systems through the ONVIF Profile S, Profile G, and Profile T standards. Controls are optimized for convenient one-step camera configuration for features including color, exposure, flicker control, backlight compensation, and streaming.

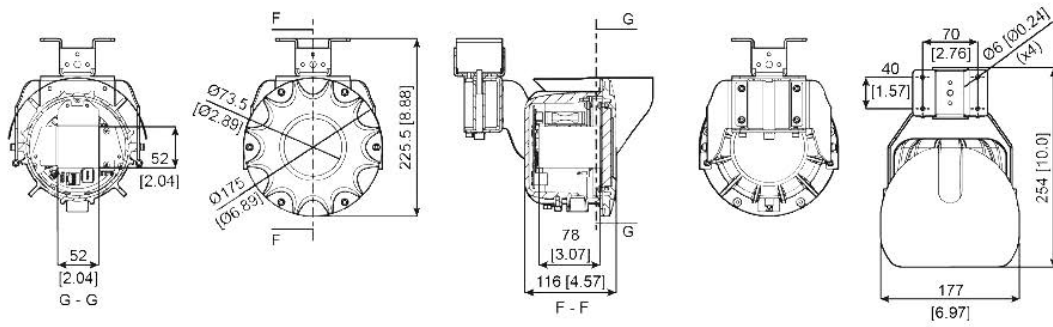
Simple Motion Detection: These algorithms allow the camera to record or send an alarm when there is motion detected in a selected zone or with the entire scene. Camera Sabotage: An alarm is triggered if the lens is obstructed or when the ex proof camera is repositioned. This ex proof camera uses object detection AI technologies delivering improved accuracy in both perimeter protection and in crowded, indoor environments. Added processing power enables the tracking and classification of over 50 objects. Objects are classified even when they remain stationary. Ten different object behaviors can be recognized to create events integrated with many VMS systems.

Technical Dimensions

Wall Mounting



Parapet or Ceiling Mounting



Specifications

CAMERA/OPTICS

Resolution	6.0 MP
Sensor Type	1/1.8" progressive scan CMOS
Maximum Resolution (H x V) and Aspect Ratio	(16:9) 3200 x 1800
Dynamic Range	WDR Off:85 dB WDR On: Up to 120 dB
Active Noise Filtering	3D Noise Filtering
Lens	F1.8, 4.9-8 mm remote focus and zoom
Horizontal Angle of View	(16:9) 50°-91°
Vertical Angle of View	(16:9) 29°-51°
Light Sensitivity	Color(33ms); 0.055. lux Mono(33ms); 0.028 lux
Iris Control	P-Iris, Automatic, Open, Closed
Shutter Range	Automatic, Manual (1/7 to 1/8,196 sec)
Day/Night Capabilities	Mechanical IR cut filter. Automatic, Manual
Flicker Correction	60 Hz, 50 Hz
White Balance	Automatic, Manual
Backlight Compensation	Adjustable

VIDEO

Frame Rate	25/30 fps @50/60Hz
Video Encoding	H.264, H.265 Pelco Smart Compression, Motion JPEG
Video Streams	Multi-stream H.264, Multi-stream H.265, Motion JPEG

SOFTWARE FEATURES

Smart Compression Technology	Yes, lowers bandwidth and storage requirements by up to 70%.
On Screen Displays	Yes
Privacy Zones	Up to 64 zones

NETWORK

Open API	ONVIF compliance version 1.02, 2.00, Profile S, Profile G, and Profile T (www.onvif.org)
Security	Password protection, HTTPS encryption, digest authentication, WS authentication, user access log, 802.1x port based authentication
Supported Protocols	IPv6, IPv4, HTTP, HTTPS, SOAP, DNS, NTP, RTSP, RTCP, RTP, TCP, UDP, IGMP, ICMP, DHCP, Zeroconf, ARP, SNMP v2c, SNMP v3

MECHANICAL

Dimensions (L x W x H)	Camera and bracket: 254.4 mm x 177 mm x 177.5 mm; 10.0" x 6.97" x 6.99"
Weight	Camera and bracket: 6.5 kg; 14.3 lbs., with 4m cable: 8.5 kg; 18.7 lbs.
Construction	AISI 316L stainless steel
Finish	Electro-polished surface
Cable Entry	1/2" NPT
Cable Gland	Ex db and tb 1/2" NPT (with preinstalled cable only)
Armored Cable Option	External diameter: 16.8 mm (0.66") ± 0.4 mm (0.016") Diameter under armature: 12.4 mm (0.49") ± 0.3 mm (0.012") Color: black RAL 9005 Composition: 3 x 1.5 mm ² (15 AWG), and 4 x 2 x 0.22 mm ² (24 AWG), (cat. 5E F/STP)

ELECTRICAL

Ports	100BASE-TX, RJ45 Connector (CAT5E cabling)
Power Consumption	20 W with 24 VDC (0.9A), 21 W with 24 VAC (1.32A) or with IEEE802.3at
Input Voltage (Power)	VDC: 24 V ± 10%, VAC: 24 V ± 10%, PoE+: IEEE802.3at compliant

ENVIRONMENTAL

Operating Temperature	-40 °C to +65 °C (-40 °F to 149 °F)
Storage Temperature	-40 °C to +55 °C (-40 °F to 131 °F)
Humidity	10% - 95% non-condensing
Cold Start	Up to 1 hour startup delay at temperature lower than -10 °C (14 °F)
