

2310131050

EXP2230-62 2 Ex Proof PTZ Camera ExSite 2 series

Ex proof camera



- ✓ Up to 1920 x 1080p Resolution Wide Dynamic Range (WDR)
- ✓ Multi-Stream H.264 and H.265 IP Video with Smart Compression
- ✓ Rated to Operate from -40 °C to +60 °C (-40 °F to 140 °F), with ambient convection
- ✓ AISI 316L Stainless Steel Electro Polished Construction
- ✓ Reliable Pan/Tilt
- ✓ Onvif Profiles S, G, and T Conformant
- ✓ Certifications: FCC Part 15, CE, cULus, ICES-003, RCM, BIS, KC
- ✓ Hazardous Location Certifications: IECEX, ATEX, INMETRO, EAC Ex, cULus, UKEx, KCs



Description

The EXP2230-62 2 Ex Proof PTZ Camera ExSite 2 series is purpose-built to monitor operations and control processes in hazardous locations with risks of explosion due to the presence of flammable liquids, gases or dust. It meets stringent explosion proof and dust-ignition proof requirements while complying with international standards (IECEX, ATEX, INMETRO, EAC Ex, cULus, UKEx, KCs). It provides to operators crisp and clear evidence with 30X optical zoom, with true WDR, and low light capabilities for challenging lighting conditions common to hazardous areas. The EXP2230-62 2 Ex Proof PTZ Camera ExSite 2 series is built to survive in the harshest conditions, rated IP69 it protects from water, high wind, high and low temperatures with an operating range of -40°to +60°C. It is also resistant to corrosive elements. The camera is easy to install and adaptable to most operational needs.

The EXP2230-62 2 Ex Proof PTZ Camera ExSite 2 series support a range of input power options. The ex proof PTZ camera also comes standard with wipers and sun shrouds, capturing desired video regardless of the weather.

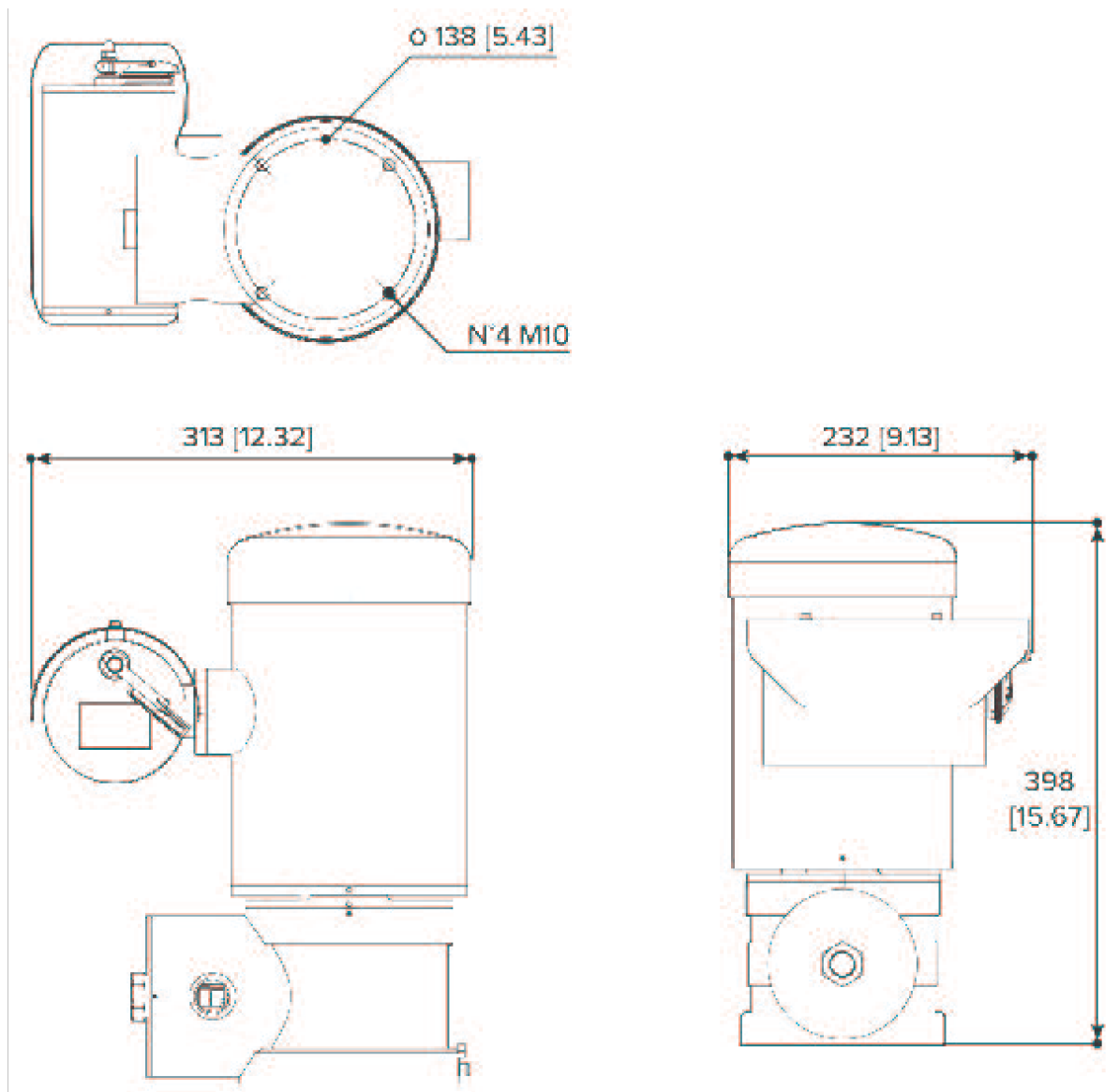
EXP2230-62 2 Ex Proof PTZ Camera ExSite 2 series

The ex proof PTZ camera provides industry-leading image quality using a Full HD 1080p camera producing up to 60 images per second. The camera's image defog capability increases video quality in poor visibility conditions and 3D noise filtering is available.

It provide flexible streaming options. The primary stream can be compressed with efficient H.265, H.264 High or Main profiles, or MJPEG formats. It can be configured to a variety of frame rates and variable bit rates to optimize image quality with bandwidth and storage efficiency. Smart Compression is available on both H.264 and H.265, minimizing storage and bandwidth utilization.

The EXP2230-62 2 Ex Proof PTZ Camera ExSite 2 series integrates with major third-party systems through the ONVIF Profile S, Profile G, and Profile T standards.

Technical Dimensions



Note: Values in parentheses are inches; all others are millimeters.

Specifications

CAMERA/OPTICS

Resolution	2.0 MP
Sensor Type	1/2.8" progressive scan CMOS
Maximum Resolution (H x V) and Aspect Ratio	(16:9) 1920 x 1080
Dynamic Range	WDR Off: 83 dB WDR On: Up to 120 dB
Active Noise Filtering	3D Noise Filtering
Lens	F1.6, 4.3-129 mm (30x zoom) remote focus and zoom
Horizontal Angle of View	(16:9) 3.1°-64°
Vertical Angle of View	(16:9) 1.7°-38°
Light Sensitivity	Color (33 ms); 0.1 lux Mono (33 ms); 0.03 lux
Iris Control	P-Iris, Automatic, Open, Closed
Shutter Range	Automatic, Manual (1/1 to 1/30,000 sec)
Day/Night Capabilities	Mechanical IR cut filter. Automatic, Manual
Flicker Correction	60 Hz, 50 Hz
White Balance	Automatic, Manual
Backlight Compensation	On/Off

VIDEO

Frame Rate	60fps
Video Encoding	H.264, H.265 Pelco Smart Compression, Motion JPEG
Video Streams	Multi-stream H.264, Multi-stream H.265, Motion JPEG

SOFTWARE FEATURES

Smart Compression Technology	Yes, lowers bandwidth and storage requirements by up to 70%.
On Screen Displays	Yes
Privacy Zones	3D, up to 64 zones
Presets	500 named presets
Tours	10 named tours
Digital Defog	Adjustable/Off

NETWORK

Open API	ONVIF compliance version 1.02, 2.00, Profile S, Profile G, and Profile T (www.onvif.org)
Security	Password protection, HTTPS encryption, digest authentication, WS authentication, user access log, 802.1x port based authentication
Supported Protocols	IPv6, IPv4, HTTP, HTTPS, SOAP, DNS, NTP, RTSP, RTCP, RTP, TCP, UDP, IGMP, ICMP, DHCP, Zeroconf, ARP, SNMP v2c, SNMP v3

MECHANICAL

Dimensions (LxWxH)	313 mm × 232 mm × 398 mm
Weight	26.5 kg
Construction	AISI 316L stainless steel
Finish	Electro-polished surface
Pan Movement	360° continuous, max 100°/s
Vertical Tilt	-90° to 90°
Maximum Pan/Tilt Speed	100°/s
Wiper	Yes
Cable Entry	2 × 3/4" NPT

ELECTRICAL

Local Storage	Optional factory installed 128GB, Micro SDXC Card.
Ports	10BASE-T/100BASE-TX, RJ45 Connector (CAT5E cabling) and SFP slot
Power Consumption	120 W
Input Voltage (Power)	24 VAC, 5 A, 50/60 Hz
Input for Remote Reset	1
Alarm Inputs	1
Relay Inputs	1+1 (one relay reserved for washer pump and one configurable, 1A, 30 VAC/60 VDC max)

ENVIRONMENTAL

Operating Temperature	- 40 °C to +55 °C (-40 °F to 131 °F), in enclosed space - 40 °C to +60 °C (-40 °F to 140 °F), with ambient convection
Storage Temperature	-40 °C to +55 °C (-40 °F to 131 °F)
Humidity	10% - 95% non-condensing
Cold Start	Up to 1 hour startup delay at temperature lower than -10 °C (14 °F)
Wind Resistance	Pan and tilt operational at a maximum of 210 km/h wind (130.5 mph)

Accessories



EMC Filter FM1010

EMC filter for Marine certification



MPX2CABLARM41 MPX2 4m armoured cable barrier gland

4m Multicable



Ex Proof Communication Box MBX2MAA

EXPLOSION-PROOF COMMUNICATION BOX IN STAINLESS STEEL



MPXWBA Wall bracket AISI 316L

Wall Bracket



Washer Pump WASEX2T4AT EX

WASEX WASHER PUMP WITH EX-PROOF SOLENOID VALVE