

2131000153

VLS-30T/F-MED

Horn Speaker 100V, 30W



- ✓ MED approved
- ✓ Robust and powerful horn speaker
- ✓ Suitable for outdoor installation in harsh environments
- ✓ Prepared for loop in/ loop out connection
- ✓ 1x M20 gland and 1x blind plug included



MED Certification



MER Certification



IP66

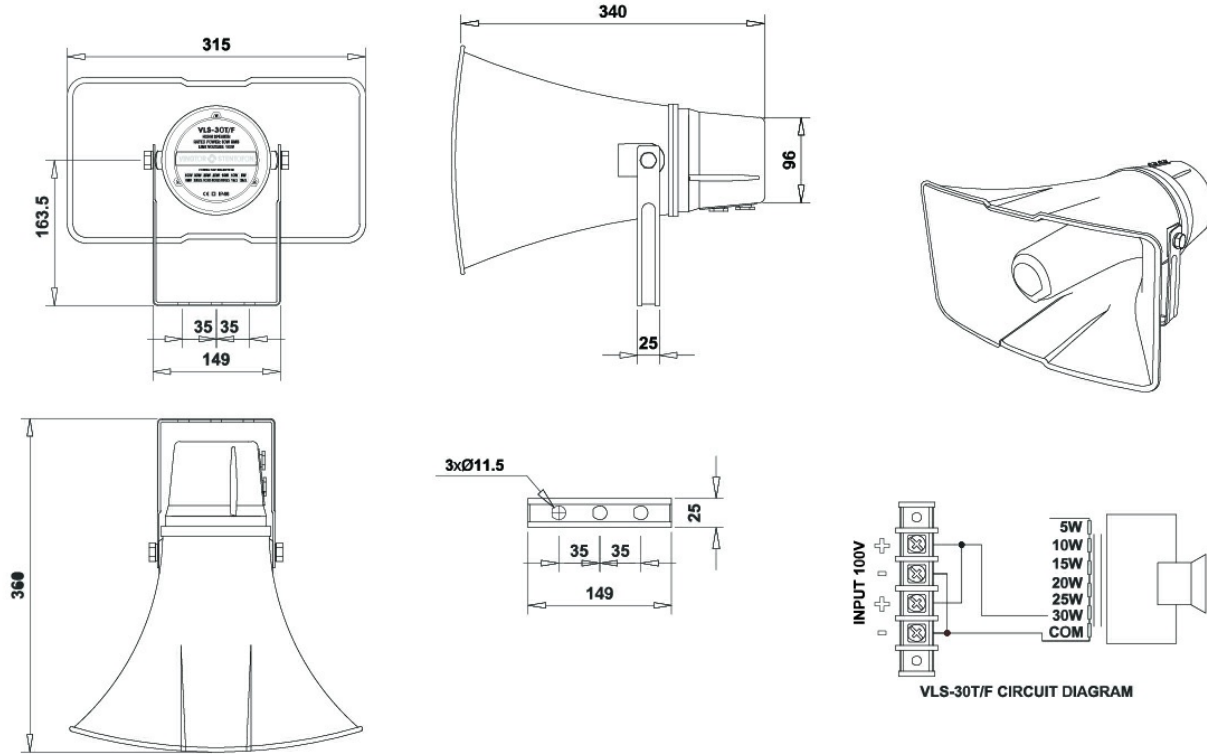
Description

The VLS-30T/F-MED is a robust and versatile 30W horn speaker designed for challenging environments. It's MED approved, making it ideal for use on ships, particularly in noisy areas like engine rooms or outdoor spaces. This speaker is also well-suited for various industrial settings where clear, loud sound is crucial.

Built to withstand harsh conditions, the VLS-30TF offers reliable performance in tough environments. It comes equipped with a 100V line transformer and fuse, ensuring safety and compatibility with standard PA systems. The speaker supports loop in/loop out connections, simplifying the installation of multiple units.

Users can select from four different power tapings: 5W, 10W, 15W, 20W, 25W, and 30W. This flexibility allows the speaker to be optimized for different spaces and noise levels. For easy installation, the package includes one M20 gland and one blind plug.

Technical Dimensions



Specifications

GENERAL

Dimension (mm)	315W x 170H x 350D
Material, finish	ABS, grey
Mounting	Bracket, stainless steel grade 304
Connection	1x M20 gland and 1x blind plug included
Weight	2,49 kg
Rated power	30W
Max Power Rating	45W
Power tapings	30W - 25W - 20W - 15W - 10W - 5W
Frequency response	240 HZ - 10 KHz
Sensitivity	108dB/1W/1m - 123dB/30W/1 m
Maximum SPL	123dB
IP rating	IP66
Temperature range	-40 °C - +55 °C
Impedance	330/400/500/670/1k/2k
Environmental Condition	Exposed
Compass Safe Distance	185 cm

OTHER

2131000207	Additional M20 cable gland for VLS-15(TF)/VLS-30(TF). Not included and not mounted.
------------	---

Installation and operation:

1. Mount cable through cable gland and connect cable leads to 100V line in + - terminals
2. Select required loudspeaker tapping
3. Fasten the back box onto front of loudspeaker
4. Fasten cable gland(s) and ensure the cable leads are not placing strain on the terminals
5. Place loudspeaker and mount using mounting holes on bracket

6. Once installed the loudspeaker can be used

Maintenance:

1. No scheduled maintenance is required
2. For any kind of maintenance secure loudspeaker is not energized
3. Loudspeaker is equipped with fuse. If fuse broken remove back box from front loudspeaker to access

Accessories



VLS-GLAND

Cable gland for VLS-15/30

Item Number: 2131000207