

2131000157

SAFE-561IPT-MED

Wall mounted speaker, VA, 100V, IP55, 6W



- ✓ 100V line
- ✓ IP55
- ✓ MED Approved



MED Certification

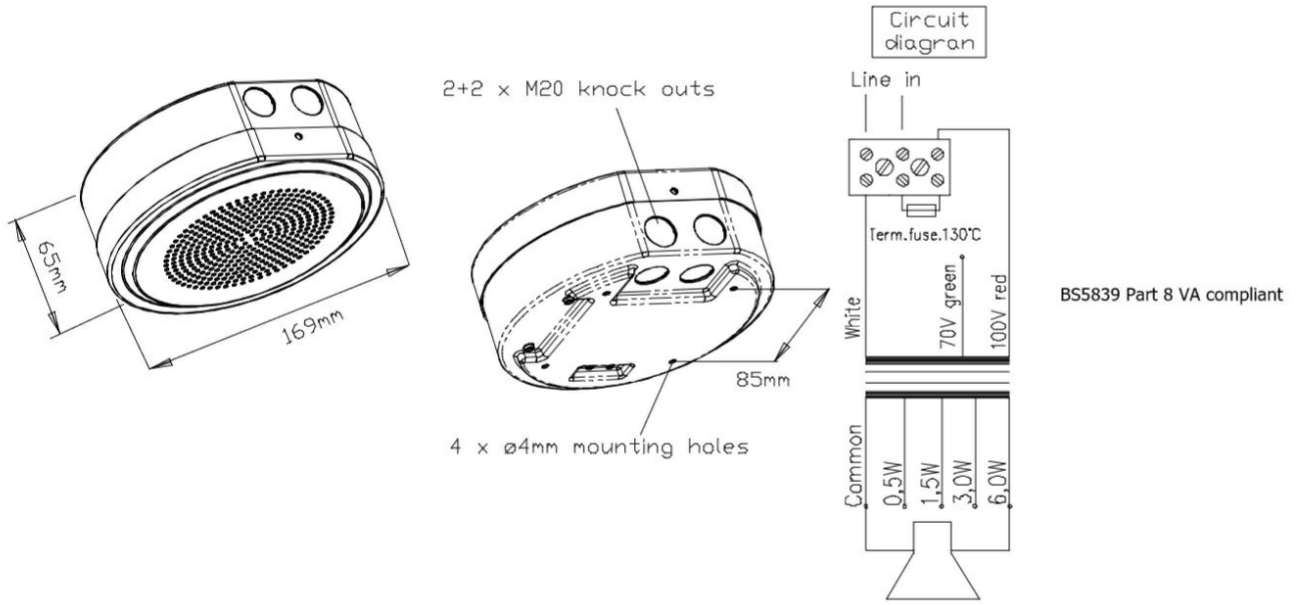
Description

5" 6W BS5839 Part 8 VA compliant metal cabinet speaker complete with ceramic terminal block and thermal fuse. 1st fit 2nd fit mounting arrangement, to allow full circuit test before final connection. Can be glanded for side entry or into the rear of the unit for discreet cabling. The speaker also has low profile for wall mounting safety.

Installation, Operation and Maintenance Procedure

- ✓ Mount cabinet to wall/ceiling with 4 suitable screws.
- ✓ If 70V, replace red cable with the green cable in the terminal.
- ✓ Connect cable to terminal and fasten the front part to the cabinet with 2 provided screws.
- ✓ For optimum performance, always use the correct voltage / power and operate within the frequency limits as stated.

Technical Dimensions



Specifications

GENERAL

Dimensions (mm)	Ø169 x D65
Material / Color	Steel / White
Mounting	Four screws
Termination	Ceramic terminals
Weight	1,3 kg
Max. / min. amb. temp	90°C / -20°C
Rated / max. power	6 W / 6 W
SPL 1W/1m	90 dB
SPL rated power	97 dB
Effective freq. range	180 – 13000 Hz
Dispersion (-6dB) 1kHz / 4kHz	187° / 77°
Power tapping	0,5W, 1,5W, 3,0W, 6,0W
Cable inlet	2+2 M20 knock outs for cable gland
Fuse	Term. fuse 130°C (for fuse variant)
IP rating	IP55
Environmental Condition	Protected