

2131000156

SAFE-10PT-MED

Wall mounted speaker, 100V, IP55, 10W

- ✓ With 70 / 100V line transformer
- ✓ Wall mounting
- ✓ IP-55
- ✓ MED Approved



MED Certification

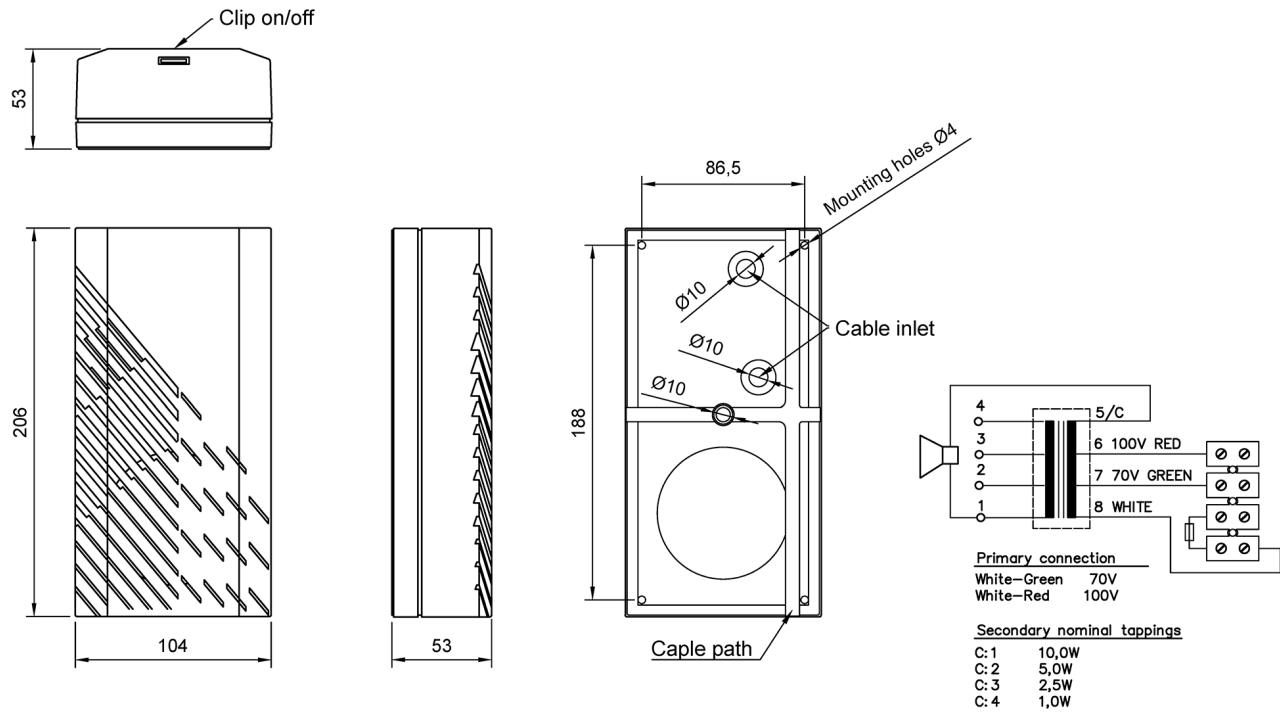
Description

- ✓ Loudspeaker w/fuse for accommodation area
- ✓ With 70 / 100V line transformer
- ✓ Wall mounting
- ✓ Waterproof
- ✓ ABS plastic

When mounting the loudspeaker please ensure that it is re-assembled in the same manner in which it was received. To open the cabinet, press the clip on the short end of the cabinet, and lift the cabinet from the mounting plate. Fasten the mounting plate to wall or ceiling by 4 screws, and clip on the front cover. For optimum performance, always use the correct voltage / power and operate within the frequency limits as stated.

The loudspeaker is equipped with four alternative cable entry ports.
Do not open loudspeaker when energized.

Technical Dimensions



Specifications

GENERAL

Dimensions (mm)	206W x 104H x 53D
Weight	0.8 kg
Mounting	4 screws
Material/ Color	ABS / RAL 9010
IP- rating	IP55
Temperature range	Max. / min. amb. temp 90°C / -40°C
Max. / min. ambient temperature	90°C / -40°C
Cable entry	1x PG-7 / 2x cable inlet 11mm with rubber gasket
Connections	Inside screw terminal
Rated / max. power	10 W / 15 W
SPL 1W/1m	85dB
SPL rated power	95dB
Effective freq.range	160 - 17000Hz
Dispersion (-6dB) 1kHz / 4kHz	115° / 70°
Secondary nominal tapings	10,0W - 5,0W - 2,5W - 1,0W
Environmental Condition	Protected