

2310111203

Wall Mount Bracket for IC-NDC-2MP-V2

wall mount

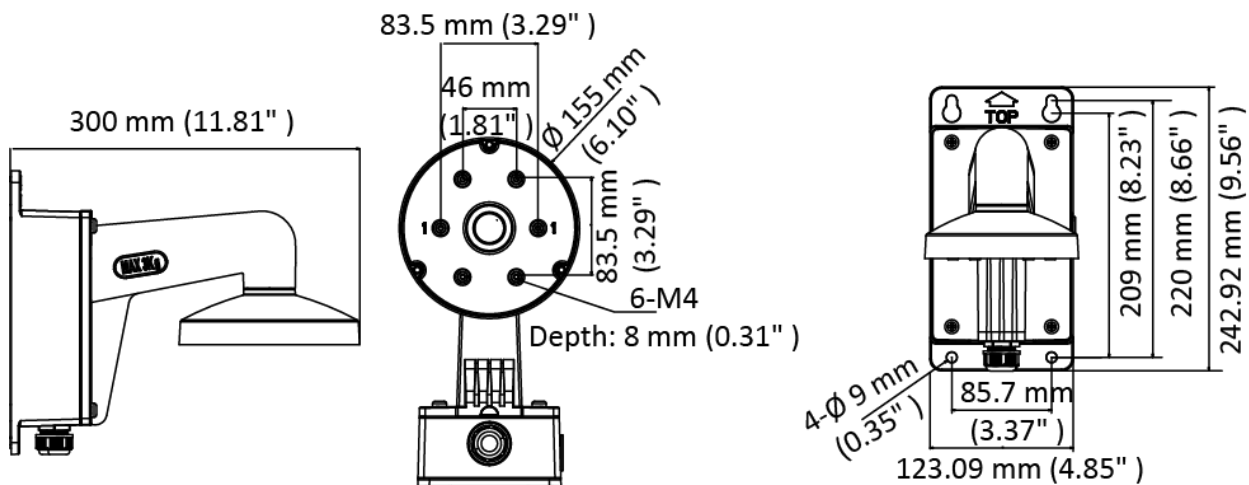


- ✓ Aluminum alloy with surface spray treatment
- ✓ The cap facilitates the installation
- ✓ Waterproof design

Description

The Wall Mount Bracket for IC-NDC-2MP-V2 should be installed on the flat surface. The waterproof rubber is necessary for the outdoor application. The wall must be capable of supporting at least 3 times as much as the total weight of the camera and the mount. The Wall Mount Bracket for IC-NDC-2MP-V2 has a maximum load capacity is 3 kg (6.61 lb.).

Technical Dimensions



Specifications

PARAMETERS

Appearance	White
Material	Aluminum Alloy
Dimension	Ø 155 mm × 243 mm × 300 mm
Weight	1750 g