

4000019752

ITCS-C5

Bathroom Calling Unit



- ✓ Unit for call and call reset in bathrooms
- ✓ Pull-cord activation with push-button reset
- ✓ Red indicator light for call status
- ✓ Bulkhead mounting

Description

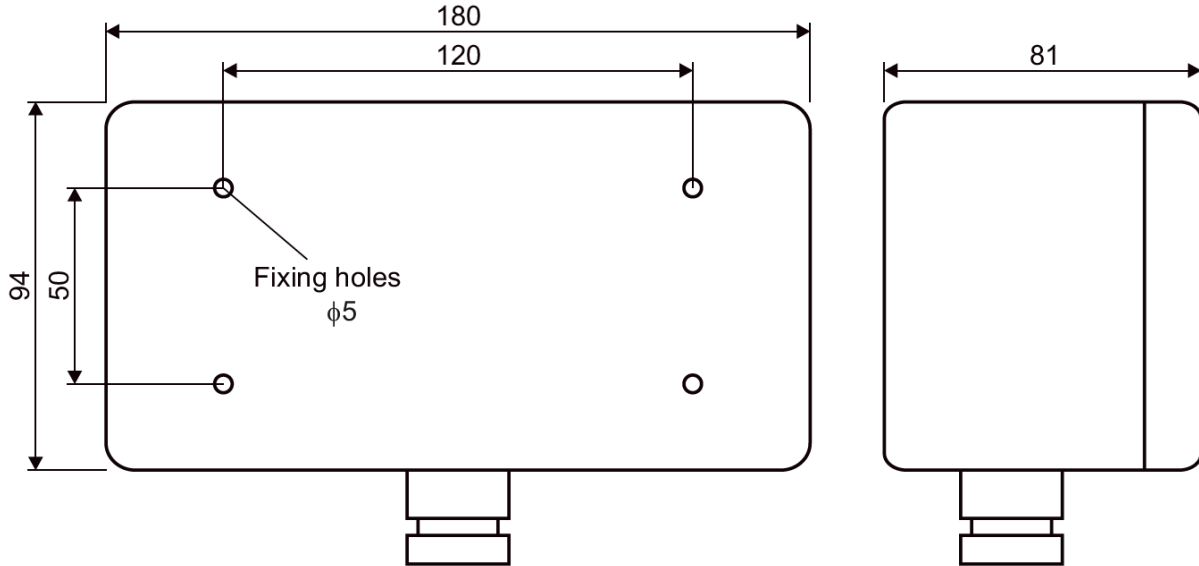
The ITCS-C5 is a call and reset unit, primarily used in bathrooms and toilets to enable users to request assistance easily. The unit features a pull-cord activation for calling and a push-button reset, ensuring simple and intuitive operation.

- ✓ Easy call activation – Pull the cord in the direction of the arrow to trigger a call.
- ✓ Visual confirmation – A red bulb indicator lights up when a call is active.
- ✓ Simple reset function – Calls can be reset by pressing the built-in push button.
- ✓ Bulkhead mounting – Designed for secure and convenient installation.

Ideal for onboard and facility communication systems, the ITCS-C5 enhances safety and accessibility in bathroom areas.

Technical Dimensions

OUTLINES:

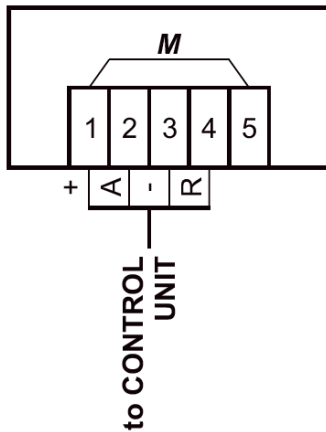


Specifications

MECHANICAL

Dimensions (WxHxD)	180x94x81 mm
Weight	0.5 kg
Cable inlet (gland)	1 x PG 13.5
Protection	IP 44

CONNECTION:

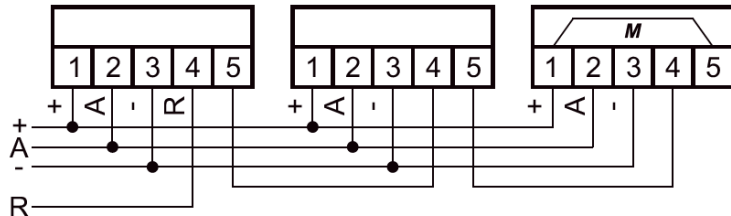


CURRENT CONSUMPTION:

0.013A / 24V DC

NOTE:

If more calling units type ITCS-C4, C5 or C6 is used for same calling place/line, terminals 1,2,3 are connected in parallel and terminals 4,5 in series. Put link *M* on last unit in chain.



Used With



ITCS-1A-24VDC

Single Call Control Unit for Inelteh Call System (24VDC)



ITCS-2A-24VDC

Dual Call Control Unit for Inelteh Call System (24VDC)



ITCS-2A-230VAC

Dual Call Control Unit for Inelteh Call System (230VAC)



ITCS-2A-24VDC

Dual Call Control Unit for Inelteh Call System (24VDC)



ITCS-1A-10

ITCS Control Unit for 10 positions