

AK5850B

## AK5850B - Ex TwinCom Helmet Mount Headset



Ex-approved Headset with helmet mounting

- ✓ Rugged headset for Ex and Industrial environments
- ✓ Helmet mount
- ✓ Noise-cancelling microphone
- ✓ High quality digital background noise reduction
- ✓ HD-voice compatible
- ✓ High quality audio
- ✓ Standard 4-pole Nexus connector for easy connection/replacement
- ✓ For use with Ex-approved and industrial plugbox with PTT
- ✓ Low smoke and halogen free cable
- ✓ Designed for Turbine Ex explosion-proof and industrial intercoms

 IP54  ICX-AlphaCom  Exigo

### Description

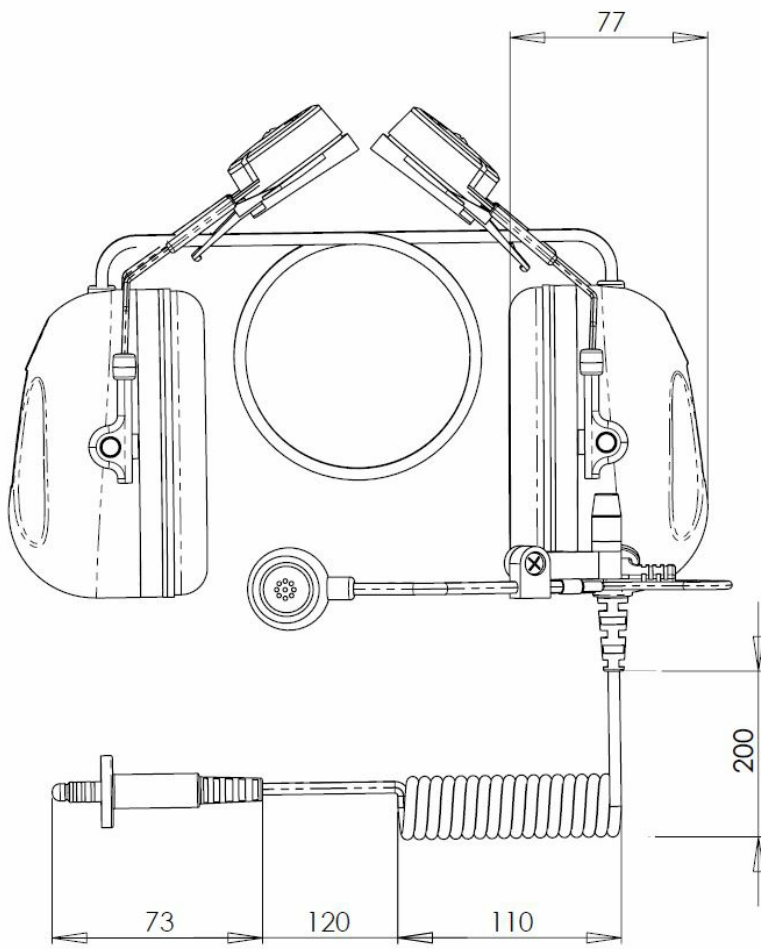
The AK5850B is a high-quality industrial Ex-approved helmet-mounted headset designed for use in rugged and hazardous environments. It features an adjustable boom microphone and a short curly cable terminated with a 4-pole Nexus plug, allowing secure mounting directly on compatible safety helmets.

#### Zenitel Turbine Ex | Industrial Intercom use

When used with Zenitel Turbine Ex or Industrial Intercom stations, the headset must be connected via the TAX-2B or TA-22B cable with plugbox. This cable assembly provides the required interface between the headset and the intercom station. In this configuration, the AK5850B supports HD Voice functionality with compatible Zenitel intercom systems.

Used together with the TAX-2B or TA-22B cable and plugbox with PTT, the solution provides reliable communication with an operating range of over 10 meters, depending on installation and operating conditions.

### Technical Dimensions



# Specifications

## MECHANICAL

Weight	386 g
--------	-------

## ENVIRONMENTAL

Operational Temperature	-40°C to +60°C
-------------------------	----------------

Ingress Protection (IP)	IP-54 (when worn)
-------------------------	-------------------

## ELECTRICAL

Impedance	230 ohm
-----------	---------

Sensitivity (mic)	4 mV / 220 ohm
-------------------	----------------

## ACOUSTICAL

Frequency Response	90-7000 Hz
--------------------	------------

Noise Reduction	-12dB @ 1kHz
-----------------	--------------

AK5850BS Helmet attached hearing protector TwinCom with custom moulded earplug

## SOUND ATTENUATION

Above 1kHz:	29,8 to 36 dB
-------------	---------------

500-1000 Hz	29 to 41,2 dB
-------------	---------------

125-500 Hz	19,6 to 29 dB
------------	---------------

H84	29 dB
-----	-------

M84	29 dB
-----	-------

L84	23dB
-----	------

SNR84	30 dB
-------	-------

## CERTIFICATIONS

CENELEC safety standards	EN 60079-0: 2018 & EN 60079-11: 2012
--------------------------	--------------------------------------

IEC safety standards	IEC 60079-0: 2018, IEC 60079-11: 2012
----------------------	---------------------------------------

Marking	Ex ib IIC T4 Gb, Ta : -40°C to +60°C
---------	--------------------------------------

ATEX certificate	Nemko 03ATEX1351 Issue 9
------------------	--------------------------

IECEx certificate	IECEx PRE 15.0063 Issue 2
-------------------	---------------------------

PPE	(EU) 2016/425 (EN 352-1:2020, EN 352-2:2020, EN 352-3:2020, EN 352-6:2020 and EN 352-9:2020)
-----	--

## Accessories



**TAX-2B**

Ex-Approved Plugbox & Cable for Headset with PTT

Item Number: 1008150025



**TA-22B**

Industrial Plugbox & Cable for Headset with PTT

Item Number: 1008140225

**Used With**



**EAPFX-6-V2**

Exigo Industrial Ex Access Panel, 6 Buttons - V2

Item Number: 1023221616



**EAPFX-1-V2**

Exigo Industrial Ex Access Panel - V2

Item Number: 1023221611



**TFIX-1-V2**

Ex IP Intercom Station- full keypad

Item Number: 1008123110



**TFIX-2-V2**

Ex IP Intercom Station with 6 buttons

Item Number: 1008123120



**TFIX-3-V2**

Ex IP Intercom Station with 3 buttons

Item Number: 1008123130



**TFIE-1**

IP and SIP Intercom

Item Number: 1008122010



**TFIE-2**

IP and SIP Intercom

Item Number: 1008122020



**EAPII-1**

Exigo Industrial Access Panel, 1 Button

Item Number: 1023201201



### EAPII-6

Exigo Industrial Access Panel, 6 Buttons

Item Number: 1023201206



### TFIE-6

IP and SIP Intercom

Item Number: 1008122060