

1000664

## ECPIR-3P (MED)

Exigo Access Panel / Turbine Intercom, Blue call LED



- ✓ Network access panel for console mounting
- ✓ Compatible with ICX-AlphaCom and Exigo systems
- ✓ SIP/VoIP functionality for use with 3rd-party systems
- ✓ Advanced call handling in IC-Edge systems
- ✓ DSP for acoustic signal processing
- ✓ Communication and Power over Ethernet
- ✓ ONVIF Compatible
- ✓ Three programmable buttons with individual labels and status indicators
- ✓ Separate PTT button
- ✓ LED Indicators for power, call, and fault
- ✓ For single or dual systems (A-B systems)
- ✓ Supports handheld and gooseneck microphones
- ✓ Supports up to four EMBDR-8 expansion modules



SIP



EN 54 Certified



UL Certified Intercom

Control Room Solutions



IC-Edge



ICX-AlphaCom



Exigo

## Description

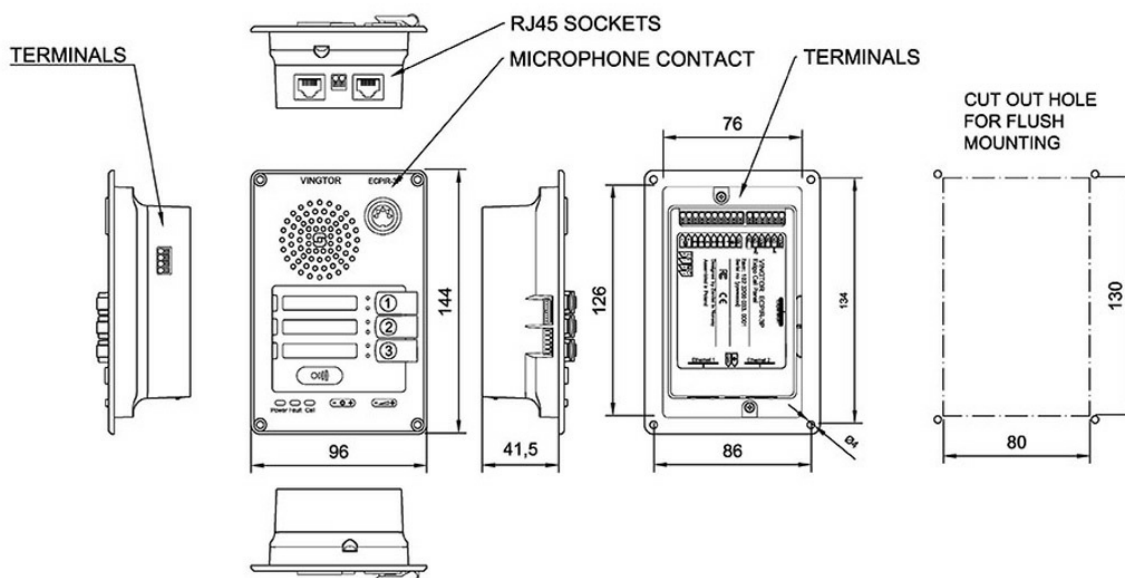
The ECPIR-3P is an access panel and intercom station developed for console mounting and used with either SIP, IC-Edge, ICX-AlphaCom or Exigo systems. The access panel features three fully programmable buttons and a PTT button that can be used to manually select zones, initiate fire alarms, gas alarms, or any other action in the Exigo system.

The unit can be used with either a handheld PTT microphone or a gooseneck microphone, allowing an operator to make announcements in the Exigo PA/GA system. Automatic gain control and digital audio processing can be used to handle noisy and challenging environments when necessary.

The unit is fully digital, and connects to the SIP, IC-Edge, ICX-AlphaCom or Exigo system over standard Ethernet network cabling. Two monitored Ethernet ports are available in order to facilitate redundant cabling and connection to both the A and B system.

LED indicators on the unit show the status of the power supply and call activity, and whether a fault is present in the system. The fault indicator can also be designated to only show faults on the access panel itself. Each of the access panel's buttons features two

## Technical Dimensions



# Specifications

## MECHANICAL

|                     |   |
|---------------------|---|
| Dimensions (HxWxD): | 144 x 96 x 41.5 mm  |
| Weight:             | 500 g   |
| Mounting:           | Flush mount, in-console, desktop or on-wall (requires optional back box EMBR-1) |
| Color:              | Black   |

## ENVIRONMENTAL

|                                  |                             |
|----------------------------------|-----------------------------|
| Operating temperature:           | -10 °C to +60 °C            |
| Operating humidity:              | 10% to 95% (non-condensing) |
| Storage temperature:             | -40°C to +70°C              |
| Storage humidity:                | 10% to 95% (non-condensing) |
| Air pressure:                    | 600 hPa to 1300 hPa         |
| IP Rating:                       | IP-32                       |
| Magnetic Compass Safe Distance   | 60 cm                       |
| IEC 60945 Environmental Category | Protected                   |
| Operator & Reading Distance      | 0,71 m                      |

## ELECTRICAL

|                        |   |
|------------------------|---|
| PoE                    | 2 x RJ45, Mode A (in-line) or Mode B (spare pair) |
| Nominal voltage:       | According to IEEE 802.3af, class 0                |
| Auxiliary DC power:    | VNOM = 24 VDC, VMIN = 16 VDC, VMAX = 48 VDC       |
| Power consumption:     | PNOM ≤ 2 W (idle), PMAX = 8 W                     |
| Digital inputs/outputs | 6 (configurable input/output/LED-driving)         |
| Relay outputs          | 2 (250VAC/200VDC, 2A, 60W, 10^8 operations)       |

## AUDIO INPUT

|                            |                     |
|----------------------------|---------------------|
| Pluggable microphone input | 1 x balanced        |
| Frequency response:        | 80 Hz – 19 kHz      |
| Nominal input level:       | 1 mVRMS – 100 mVRMS |
| SNR:                       | > 80 dB             |
| CMRR:                      | > 45 dB             |
| Input impedance:           | 1 k $\Omega$        |
| Input range:               | 10 mVRMS – 1 VRMS   |

## AUDIO OUTPUT

|                        |                                 |
|------------------------|---------------------------------|
| Output power:          | 1 Watt                          |
| Frequency response:    | 100 Hz to 19 kHz $\pm$ 3 dB     |
| SNR:                   | 80 dB in test-modus, A-weighted |
| THD+N:                 | < 1% @ 1 kHz, 8 $\Omega$ load   |
| Rated load resistance: | 8 $\Omega$                      |

## NETWORKING AND PROTOCOLS

|                                |  |
|--------------------------------|--|
| Ethernet                       | 2 x RJ45, 10BASE-TX, 100BASE-TX , Auto negotiation, Auto MDIX  |
| Protocols                      | IPv4 (with DiffServ), SIP, TCP, UDP, HTTPS, TFTP, RTP, SRTP, DHCP, SNMP, Vingtor-Stentofon CCoIP® , NTP                                  |
| LAN protocols                  | Power over Ethernet (IEEE 802.3 a-f) Network Access Control (IEEE 802.1x)  |
| Management and operation       | HTTP/HTTPS (Web configuration), DHCP and static IP + Vingtor-Stentofon Pulse™, Remote automatic software upgrade, Centralized monitoring |
| Advanced supervision functions | E.g. network test, tone test, status reports (only in AlphaCom)  |
| SIP support                    | RFC 3261 (SIP base standard) RFC 3515 (SIP refer) RFC 2976 (SIP info), SIP using TLS, RFC 5630 SIPS URI scheme                           |
| DTMF support                   | RFC 2833, 2976 (SIP info)  |

## CERTIFICATIONS

|            |   |
|------------|---|
| Immunity:  | EN 60945, EN 50130-4, EN 61000-6-1, EN 61000-6-2, EN 55103-2, FCC-47 part 15B |
| Emissions: | EN 60945, EN 50130-4, EN 61000-6-3, EN 61000-6-4, EN 55103-1, FCC-47 part 15B |
| Safety:    | UL 60950-1, cUL 60950-1, CB to IEC 60950-1                                    |

## OTHER SPECIFICATIONS

|          |   |
|----------|---|
| Warranty | 2 Years standard warranty, extendible up to total of 5 years (additional fee) |
|----------|---|

# Accessories



## PAM1H

Handheld Microphone for ECPIR Indoor Access Panels / Intercom Stations

Item Number: 1023533012



## MB-30G

Gooseneck Microphone

Item Number: 3005020033



## EBMDR-8

Exigo Button Expansion Module, 8 Buttons

Item Number: 1023253008



## EMBR-2

Mounting Box for ECPIR, EAPIR and EBMDR-8 Panels

Item Number: 1023595020



## EMBR-1

Mounting Box for ECPIR, EAPIR and EBMDR-8 Panels

Item Number: 1023595010



## EPIPR-6

Exigo Power Injector, Spare Pair PoE, 6 Ports

Item Number: 1023697006



## Mounting plate for Exigo Access Panels - 2

Mounting plate for 2 pcs. Exigo Access Panel, 19" 4HU

Item Number: 2340140020



## Mounting plate for Exigo Access Panels - 3

Mounting plate for 3 pcs. Exigo Access Panel, 19" 4HU

Item Number: 2340140021