

2810011075

## CAB-AVF-S-230

Active ventilation for CABxx with a steel door, 230 VAC



- ✓ The package consists of:
  - ✓ Fan-and-Filter Unit: front-door mounting, 148.5x148.5 mm, 230 VAC
  - ✓ Internal Thermostat (with mounting plate)
  - ✓ Roof Air Outlet (non-powered)
- ✓ IP22

---

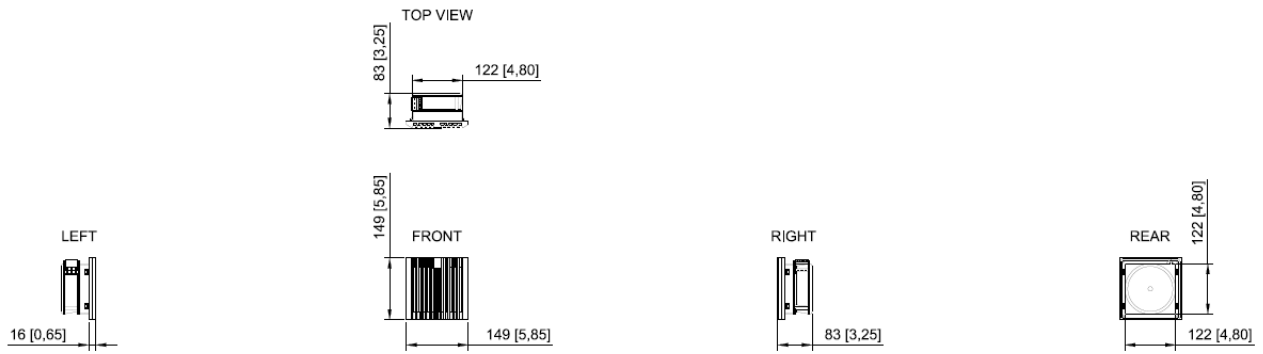
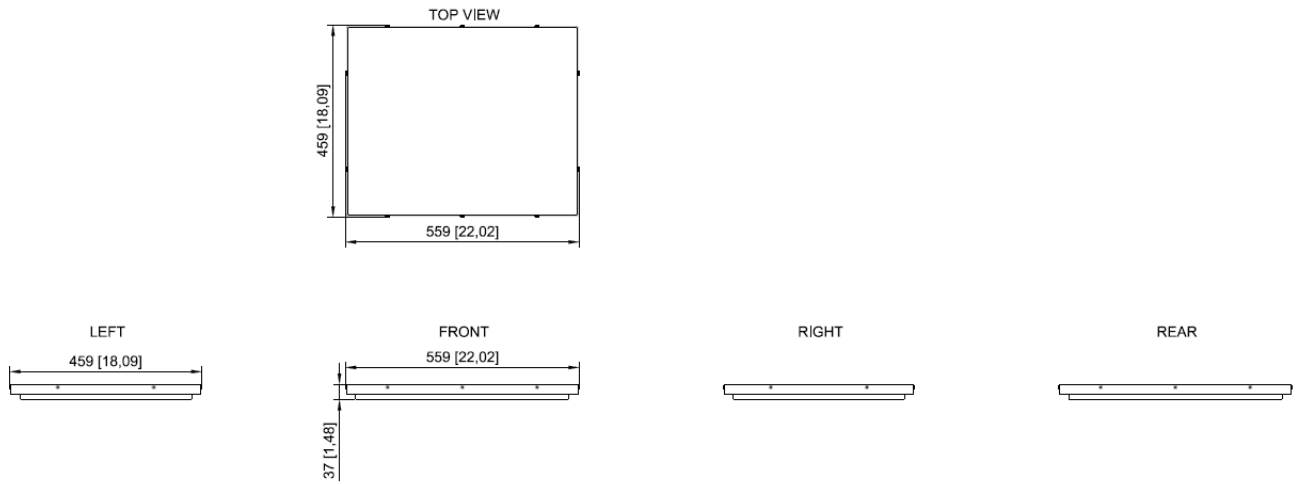
## Description

The CAB-AVF-S-230 active ventilation package is a cost-effective solution designed for the CABxx series steel-door cabinets. It offers easy installation and simple maintenance, making it suitable for both new and existing enclosures. The fan-and-filter unit supports multiple mounting positions—front, side, or rear—allowing flexible integration based on airflow needs. This package provides reliable airflow management and helps maintain stable operating temperatures inside the different cabinets.

Note: For CAB24-FWD-V2, please add one additional fan:

- ✓ 2810011033 - Fan-and-Filter Unit: front-door mounting, 148.5x148.5 mm, 115 VAC

## Technical Dimensions



# Specifications

## GENERAL (FAN-AND-FILTER UNIT)

Rated operating voltage	230 V, 1~, 50/60 Hz
Power consumption	At 50 Hz: 14.7 W / At 60 Hz: 16.5 W
Rated current max.	At 50 Hz: 0.1 A / At 60 Hz: 0.12 A
Air throughput, unimpeded airflow (with chopped-fibre filter)	At 50 Hz: 53 m <sup>3</sup> /h / At 60 Hz: 64 m <sup>3</sup> /h
Air throughput, unimpeded airflow (with pleated filter)	At 50 Hz: 63 m <sup>3</sup> /h / At 60 Hz: 72 m <sup>3</sup> /h
Air throughput with matching outlet filter including chopped-fibre filter	At 50 Hz: 40 m <sup>3</sup> /h / At 60 Hz: 46 m <sup>3</sup> /h
Air throughput with matching outlet filter including pleated filter	At 50 Hz: 49 m <sup>3</sup> /h / At 60 Hz: 55 m <sup>3</sup> /h
Pre-fuse	Miniature circuit-breaker/fuse: 2 A
IP protection category to IEC 60 529	IP 54-56 (depending on filter type)
Dimensions W x D x H	148.5 x 82.5 x 148.5 mm
Installation depth	64 mm
Weight	0.86 kg

## GENERAL (INTERNAL THERMOSTAT)

Rated operating voltage	24-230 VAC, 1~ / 24-60 VDC
Dimensions W x D x H	71 x 33.5 x 71 mm
Weight	0.12 kg

## GENERAL (ROOF AIR OUTLET)

Dimensions W x D x H	559 x 37 x 459 mm
IP Protection	IP22

## Used With



CAB42F-V2

Floor cabinet 19" 42HU  
600x600x2000mm fixed frame



CAB42FW-V2

Floor cabinet 19" 42HU  
800x600x2000mm fixed frame



CAB42FWD-V2

Floor cabinet 19" 42HU  
800x800x2000mm fixed frame



CAB42SWD-V2

Floor cabinet 19" 42HU  
800x800x2000mm swing frame



CAB42FD-V2

Floor cabinet 19" 42HU  
600x800x2000mm fixed frame



CAB42FWDD

Floor cabinet 19" 42HU  
800x1000x2000mm fixed frame