

1008140050

TA-5

Bracket for US 2 GANG Double Depth Back Box

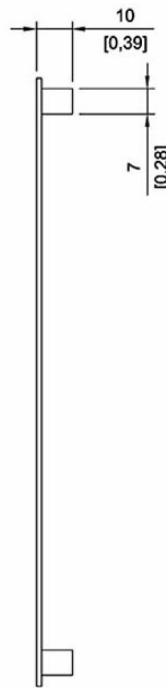
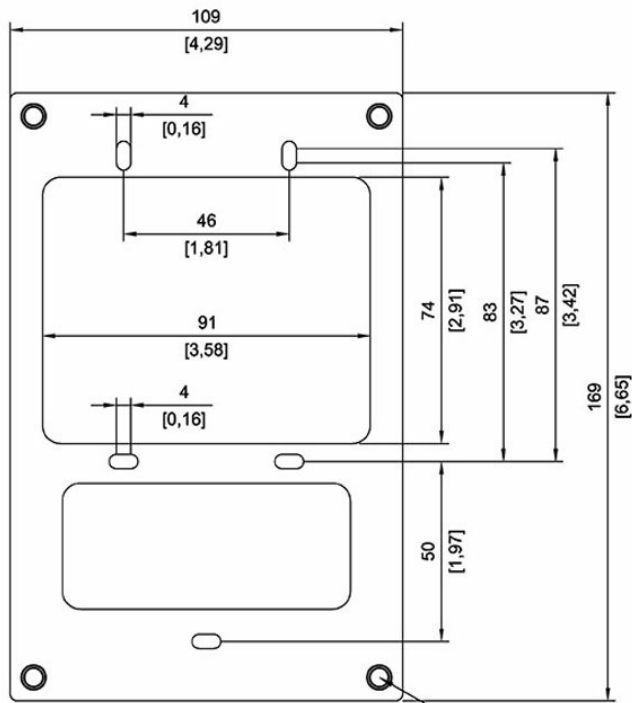
Used for flush mounting of all Turbine Compact Stations together with back boxes TA-2 and TA-3






Description

Used for flush mounting of all Turbine Compact Stations together with back boxes TA-2 and TA-3

Technical Dimensions



Parts included in the package

- 
 M5 x 16mm screw torx head for mounting bracket to the Turbine station (4pcs)
- 
 UNC 6-32 Panhead torx length $\frac{3}{4}$ inch (20mm) for mounting bracket to the Flush mount backbox TA-2 or TA-3 (4pcs)
- 
 3,5 x 8mm screw for mounting bracket to panel (4pcs) (Dimension of screw depending of panel material)

Threaded 5mm for fastening the station

Specifications

MECHANICAL

Dimensions (HxWxD):	169 x 109 x 10 mm
Weight	0.2 kg

Used With



TCIS-1

IP and SIP Intercom



TCIS-2

IP and SIP Intercom



TCIS-3

IP and SIP Intercom



TCIS-4

IP and SIP Intercom



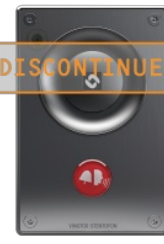
TCIS-5

IP and SIP Intercom



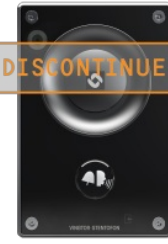
TCIS-6

IP and SIP Intercom



TCIV-2

Vandal Resistant VoIP Video Intercom
This product has been replaced by
1008315020 TCIV-2+



TCIV-3

IP and SIP Video Intercom This
product has been replaced by
1008315030 TCIV-3+



TCIV-6

IP and SIP Video Intercom This
product has been replaced by
1008315060 TCIV-6+



TCIA-2

Analog over IP Intercom



TCIV-5

IP and SIP Video Intercom This product has been replaced by 1008315050 TCIV-5+



TCAS-1

Analog Intercom



TCAS-2

Analog Intercom



TCAS-3

Analog Intercom



TA-2

US 2-Gang 3½" Deep Backbox



TA-3

2½" Deep Flushmount Backbox for Turbine Compact & Mini