

- 15W 100V Loudspeaker
- Size 5.1" (130mm)
- Shock-resistant ABS Housing
- Ingress Protected to IP21C
- High Efficiency
- Bass Reflex
- Excellent Sound Quality
- Fully Compliant to EN54-24

The SPCB-15W-50-EN54 is a 15W 100V ceiling loudspeaker, which has a 5" (130mm) full-range chassis providing excellent sound quality with speech and background music, and which is compliant to EN54-24. The bass reflex feature makes this loudspeaker ideal for installations that require high sound quality. The loudspeaker is fitted with a 100V transformer which has four power adjustment tapings of 15W, 7.5W, 3.75W, and 1.9W. Low impedance (8Ω) option is also available.

The SPCB-15W-50-EN54 has a high-density, impact-resistant ABS plastic housing which provides good long-term stability. The loudspeaker is fully enclosed and is ingress protection rated to IP21C. As standard the loudspeaker is coloured to match RAL9016.

A screw mounting system is provided for ceiling mounting. The 100V loudspeaker line cabling is connected by a 4-pin screw terminal connector, which plugs into a socket on the loudspeaker (maximum cable cross section is 4.9mm<sup>2</sup>). For additional reliability, a thermal fuse is fitted, and the loudspeaker chassis is damp-resistant.

Please note that although very thin ceilings can be used as a mounting surface, it should be ensured that the ceiling thickness and strength are appropriate to the weight (1.73kg) of the loudspeaker, and to the thickness and weight of the 100V line loudspeaker cable.

This loudspeaker is optionally available with a DC blocking capacitor fitted, in order to provide compatibility with DC loudspeaker line monitoring systems. The part number for this DC monitoring compatible version is SPCB-15W-50-EN54-DC.

Enhanced Acoustic Simulator for Engineers (EASE) data for this loudspeaker is available on request.



Compliant to EN54-24  
Measurements according to DIN IEC 268-5  
RoHS compliant (2011/65/EU)

Loudspeaker for voice alarm systems for fire detection and fire alarm systems for buildings. Type A  
Rated voice voltage: 100V  
Rated voice/noise power: 15W



This product must be disposed of in accordance with the WEEE directive.

Failure to use the equipment in the manner described in the product literature will invalidate the warranty.

WEE/JB1444YU

Made for:

Application Solutions (Safety and Security) Limited

Unit 17 - Cliffe Industrial Estate

Lewes - East Sussex - BN8 6JL - UK

Tel: +44(0)1273 405411 Fax: +44(0)1273 405415

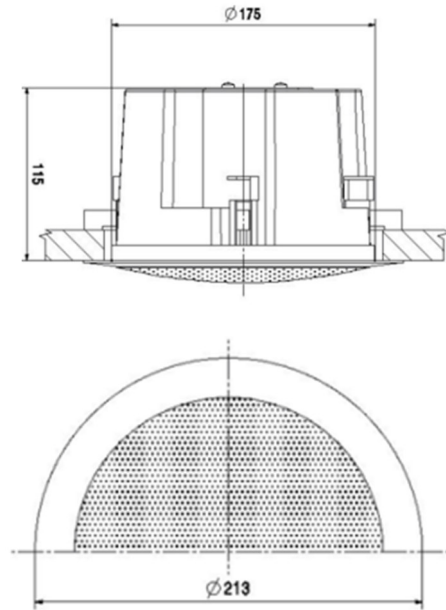
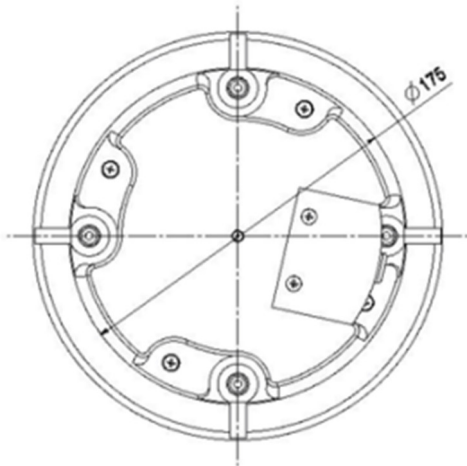
www.asl-control.co.uk

Copyright © 2018 Application Solutions (Safety and Security) Limited  
All rights reserved.

Information contained in this document is believed to be accurate. However, no representation or warranty is given and Application Solutions (Safety and Security) Limited assumes no liability with respect to the accuracy of such information.

## Installation

1. Check that the ceiling thickness is between 2mm and 45mm, with a thickness and strength which is appropriate to the weight (1.73kg) of the loudspeaker.
2. The 100V audio power cable should have a maximum cable cross section of 4.9mm<sup>2</sup>, or a maximum cable cross section of 2 x 4.9mm<sup>2</sup> when daisy-chain wiring is used.
3. Make a ceiling cut-out of 178mm.
4. Open the metal terminal cover plate on the rear of the speaker.
5. Put the connection cable through the grommet of the metal plate.
6. Choose a power tapping and connect the connection cable to the matching terminal on the 4-pin connector, and COM.
7. Plug the connector into the socket on the rear of the loudspeaker.
8. Fix the metal terminal cover plate onto the rear of the speaker.
9. Remove the speaker grille by using the supplied mounting hook.
10. Insert the loudspeaker into the ceiling until the rim touches.
11. Turn the screws on the mounting tabs until the loudspeaker is securely fitted to the ceiling.
12. Fit the speaker grille to the front of the loudspeaker.



## Service and Warranty

This product carries a full warranty. For full details of warranty and service agreements, please contact the organisation which supplied the product to you.

### Exclusions

The warranty does NOT cover:

1. Customer misuse, including incorrect installation.
2. Abnormal environmental operating conditions.
3. Damage incurred by accident, fire, lightning or other hazard.
4. Modification to the unit or inexpert / attempted repair.
5. Any other damage (other than manufacturing defects).
6. Improper packing or transit / courier damage.
7. Over voltage audio power supply used.
8. No fault found.

Application Solutions (Safety and Security) Limited shall not be liable for any indirect, special or consequential loss or damage (including without limitation any loss of profits) arising from the use of this product or for any breach of this warranty.

In the interest of continual product development, Application Solutions (Safety and Security) Limited reserves the right to make changes to product specification without notice or liability.