

1 2 3 4 5 6 7 8 9 10 11 12

A

B

C

D

E

F

G

H

A

B

C

D

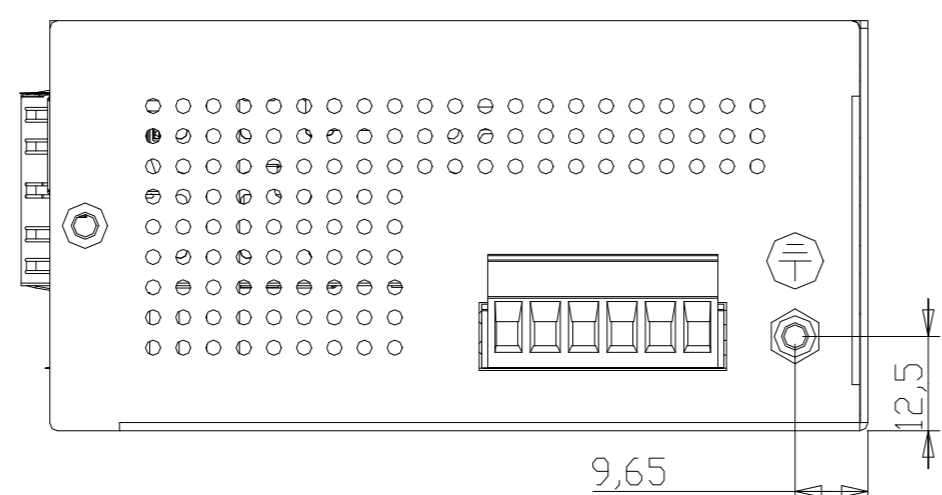
E

F

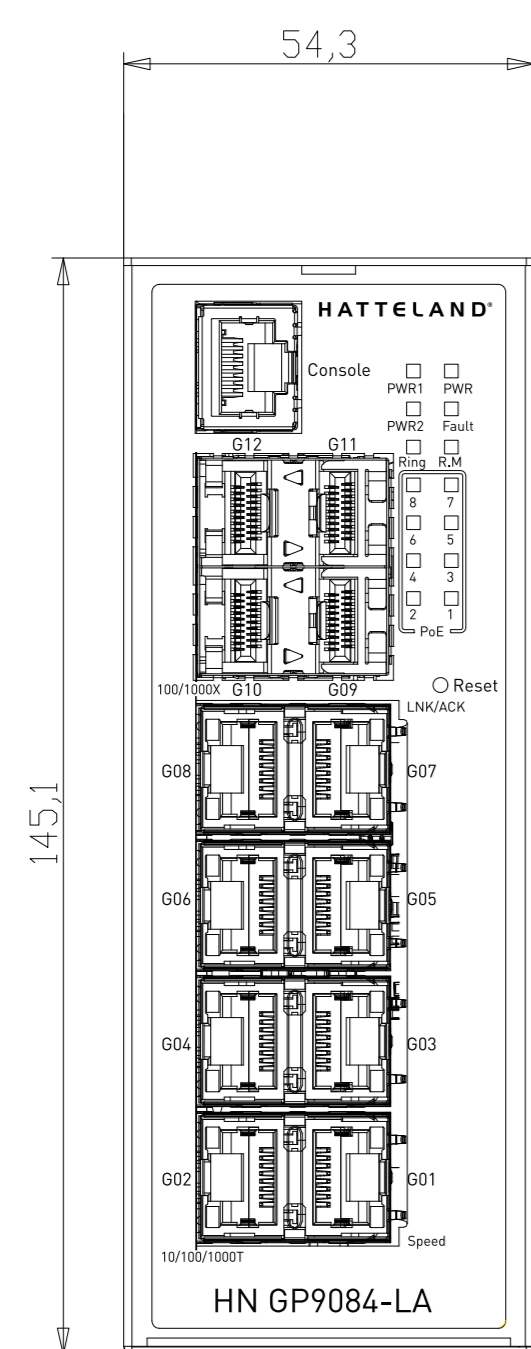
G

H

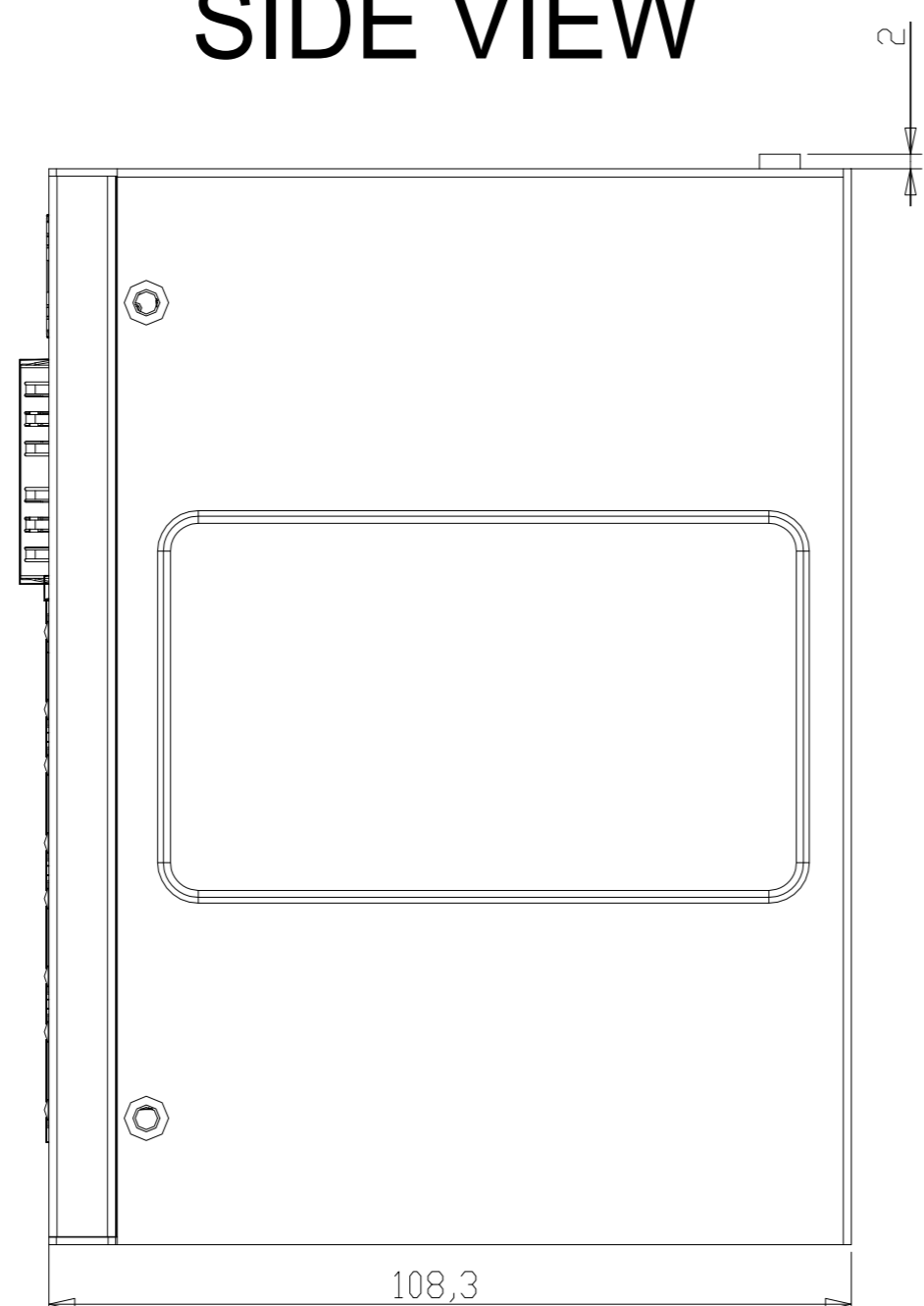
### TOP VIEW



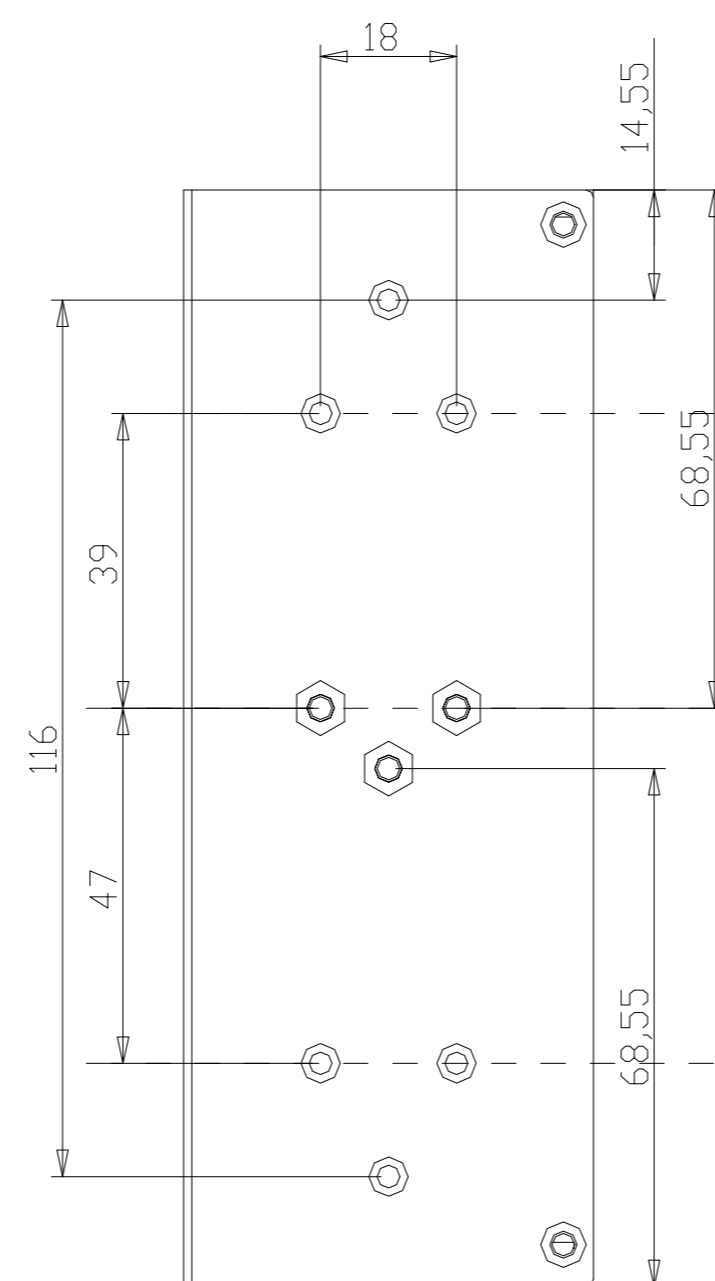
### FRONT VIEW



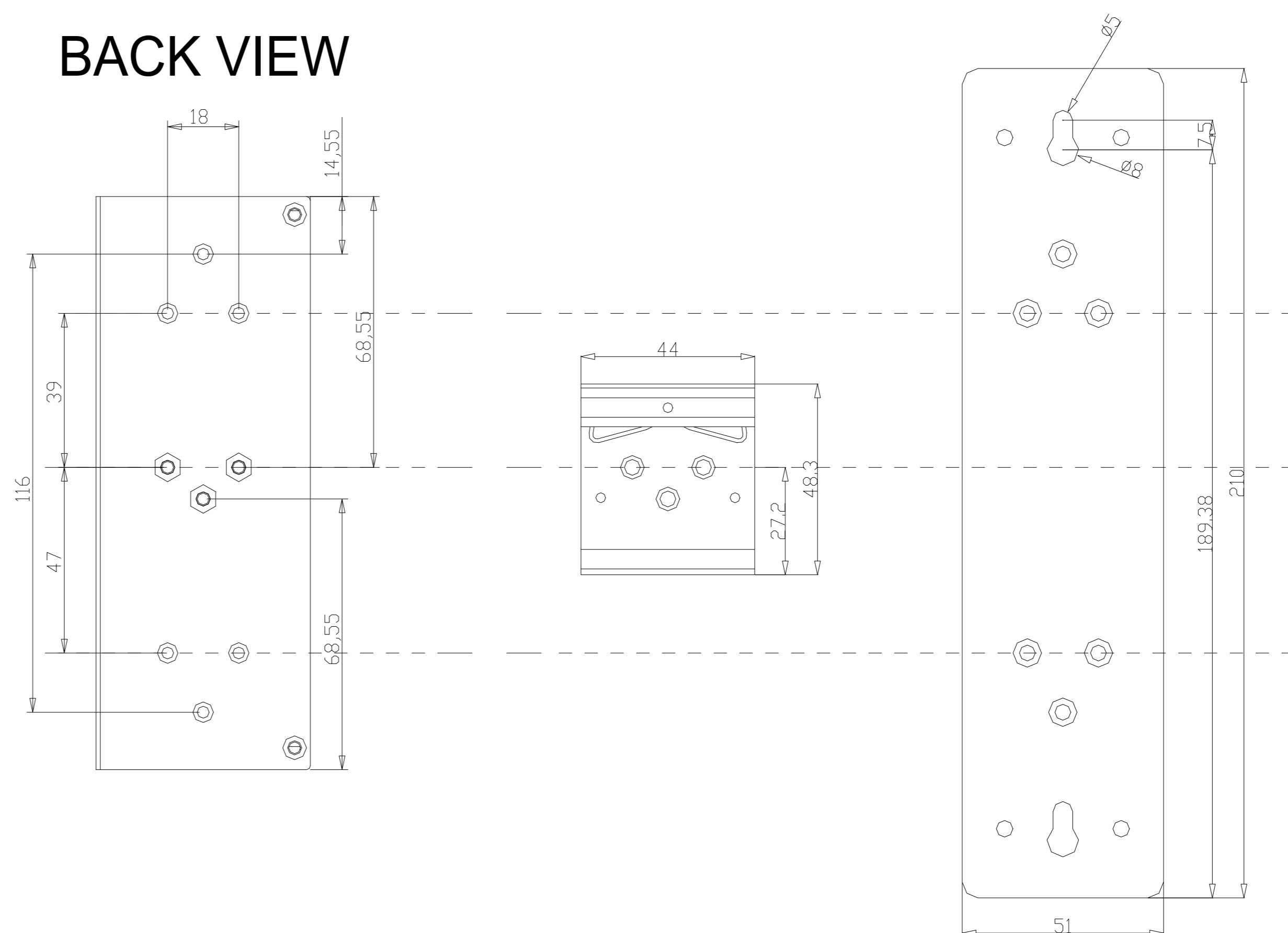
### SIDE VIEW



### BACK VIEW



### WALL MOUNT KIT DETAILS



Unit =mm (Tolerance ±0.5mm)

# SALES DRAWING HN GP9084-LA

Creation date / by:	/ /	Projection:	A1	<b>HATTELAND TECHNOLOGY</b> an EMBRON Company
Last rev. date / by:	/ /		Scale:	
Hatteland Technology AS Eikeskogvegen 52 N-5570 Akedal			Tolerance	Approved by:
				Revision:
				Drawing number:

1 2 3 4 5 6 7 8 9 10 11 12