

AL105NSONTELFASH Telephone Alarm Horn & Xenon Strobe

The AL105NSONTELFASH is a compact, high output, 105dB(A) telephone initiated alarm sounder and 5 Joule Xenon beacon.

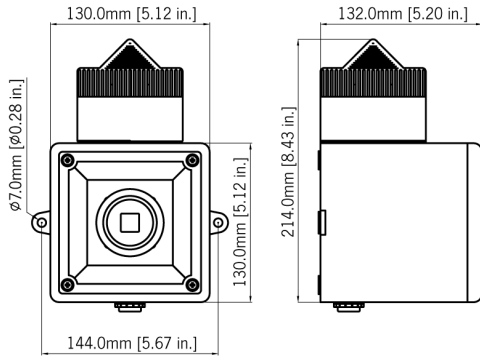
Features

- Continuously rated.
- Stainless steel fixings.
- Unit can be mounted using external lugs or internal BESA compatible fixing positions.
- Tropicalisation available on request.

Approvals

- GOST-R approved: POCC GB-JB05-H00144.





Specification

Sounder:	
Nominal output:	105dB(A) @ 1m +/- 3dB [96dB(A) @ 10ft/3m]
No. of tones:	3
Tone 1	Siren Tone
Tone 2	Alternating tone
Tone 3	Sweeping tone
Volume control:	Max. 105dB(A); Min. 90dB(A)
Effect. range:	60m/197ft @ 1KHz
Beacon:	
Energy:	5 Joules (5Ws)
Flash rate:	1Hz (60 fpm)
Peak Candela:	500,000 cd - calculated from energy (J)
Effect. Intensity cd:	250 cd - calculated from energy (J)
Peak Candela:	78,801 cd* - measured ref. to I.E.S.
Effect. Intensity cd:	196 cd* - measured ref. to I.E.S.
Lens colours:	Amber, Blue, Clear, Green, Opal, Red & Yellow
Tube life:	Emissions are reduced to 70% after 5 million flashes
General:	
Sounder Supply:	Direct power from telephone line (REN 1)
Beacon Supply:	230V ac (telephone initiated)
Ingress protection:	IP66
Enclosure matl:	High impact UL94 V0 & 5VA FR ABS
Colour:	Red (RAL3000), grey (RAL7038) & white.
Cable entries:	2 x M20 clearance gland knockouts in side & back
Terminals:	0.5 to 2.5mm ² cables.
Operating temp:	-25 to +55°C [-13° to +131°F]
Storage temp:	-40 to +70°C [-40° to +158°F]
Relative humidity:	90% at 20° [68°F]
Weight:	0.95kg/2.09lbs
Candela measurements representative of performance with clear lens at optimum voltage.	
SPL data +/-3dB(A). Measured at optimum voltage	

Part Codes

Part code:	AL105NSONTEL230[x]/[y]	
[x] = Enclosure colour:	G: Grey	R: Red
[y] = Lens colour:	A: Amber	B: Blue
	C: Clear	G: Green
	M: Magenta	R: Red
	Y: Yellow	