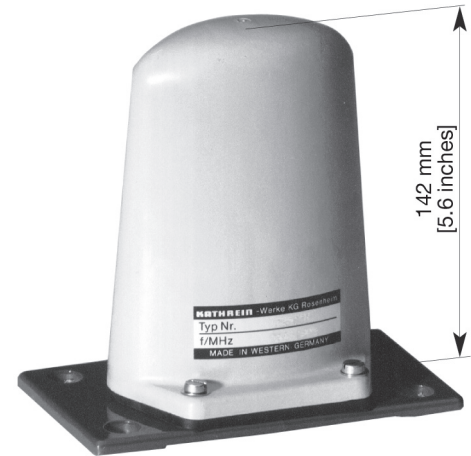


# Train Antenna 410 – 470 MHz K702021

**KATHREIN**

- Low profile broadband antenna in fiberglass radome.

Type No.	K702021 601118
Input	N female
Frequency range	410 – 470 MHz
VSWR	< 1.5
Gain	0 dB (ref. to the quarter-wave antenna)
Impedance	50 Ω
Polarization	Vertical
Max. power	170 W (at 50° C ambient temperature)
Radome weight	159 g [0.4 lb]
Total weight	500 g [1.1 lb]
Packing size (outside)	151 x 87 x 210 mm [5.9 x 3.4 x 8.3 inches]

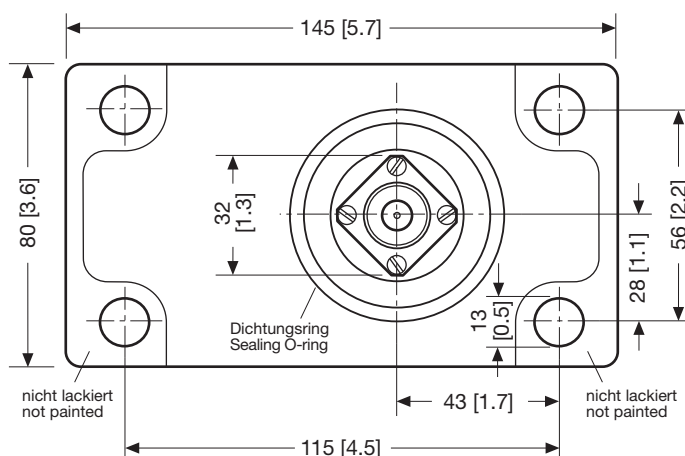


**Material:** Radiator and Flange: Aluminum.  
Radome: Fiberglass, color: Light grey.  
All screws and nuts: Stainless steel.  
Sealing: Neoprene and rubber. **Note:** Don't use detergents that might harm the sealing.

**Mounting:** On a conductive surface with a minimum size of 50 x 50 cm [19.7 x 19.7 inches] by means of existing M10 studs.

**Grounding and high voltage protection:** This antenna approved by the "Deutsche Bahn AG" is DC grounded to protect against lightning and high-tension lines.

## Mounting flange:



All dimensions in mm and [inches]

Mounting hole for the connector: 33 (max. 35) mm diameter.

**Note:** Keep mounting surface clear of paint for electrical contact.

936.005/d Subject to alteration.

# Train Antenna

## 410 – 470 MHz

### K702021

---

**KATHREIN**

Fire prevention:	UL94 (HB) DIN 5510 T2 DIN EN 45545-2: 2013
IP class:	IP 66 (when product is mounted properly)
Standards:	EN 50122-1 EN 50125 EN 50155 EN 60068-2-1 EN 60068-2-2 EN 60068-2-6 EN 60068-2-27 EN 60068-2-30 EN 61373 ETS 300 019-1-2 class 2.2 ETS 300 019-1-1 T 1.2 ETS 300 019-1-5 T 5.2 ETS 300 019-2-2 T 2.2 ETS 300 019-1-2 T 1.2

936.005/d Subject to alteration.