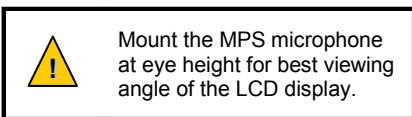
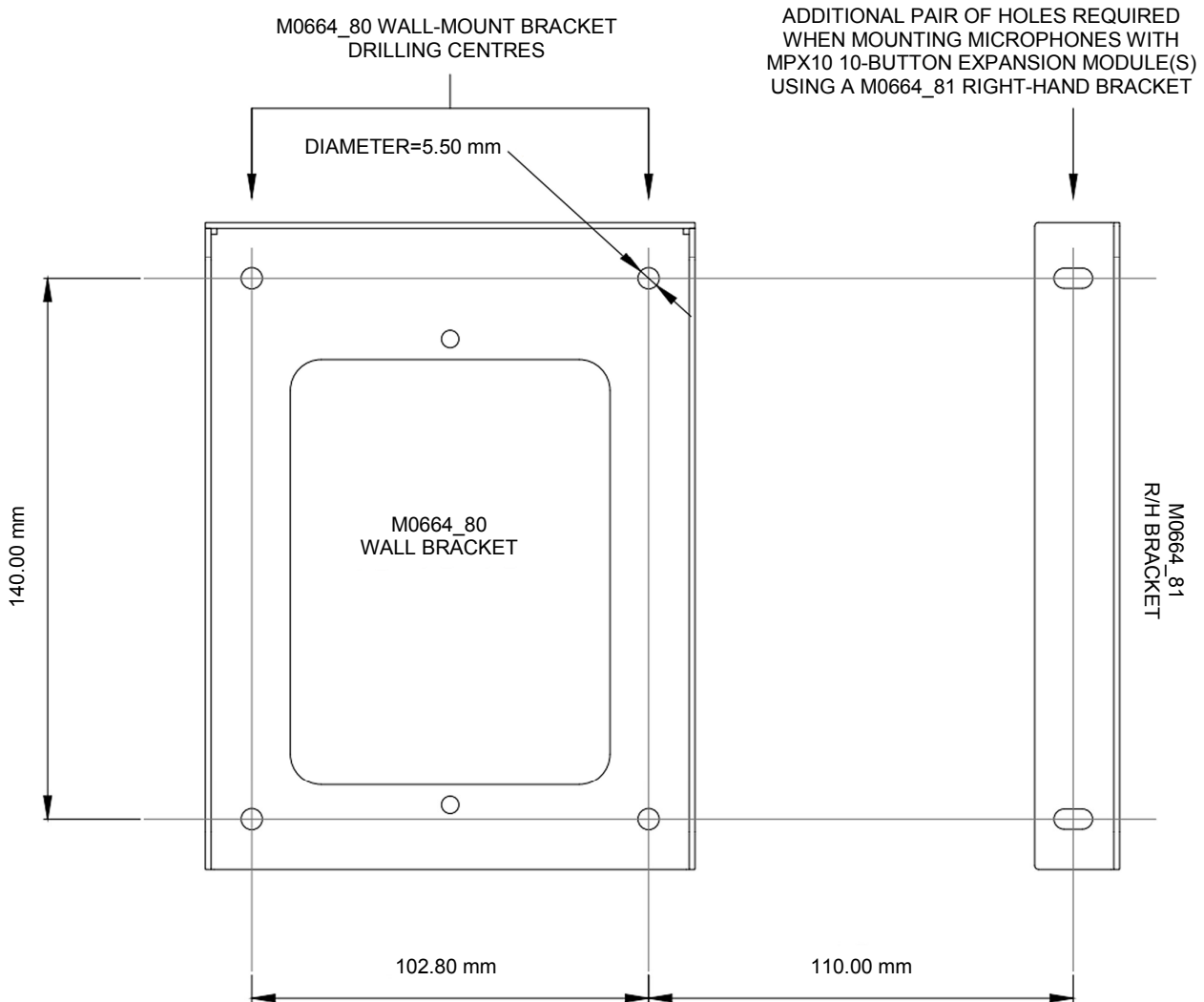


Wall and Desk/Console Mounting Instructions for MPS01/MPS10/MPS20 Microphones

- 1) Use the following drilling detail drawings to fix the M0664_80 wall bracket to the wall or console. If a microphone with button expansion unit(s) is to be mounted, additional holes will be needed to be drilled for the M0664_81 Right-Hand Side Bracket.

WALL-MOUNTING



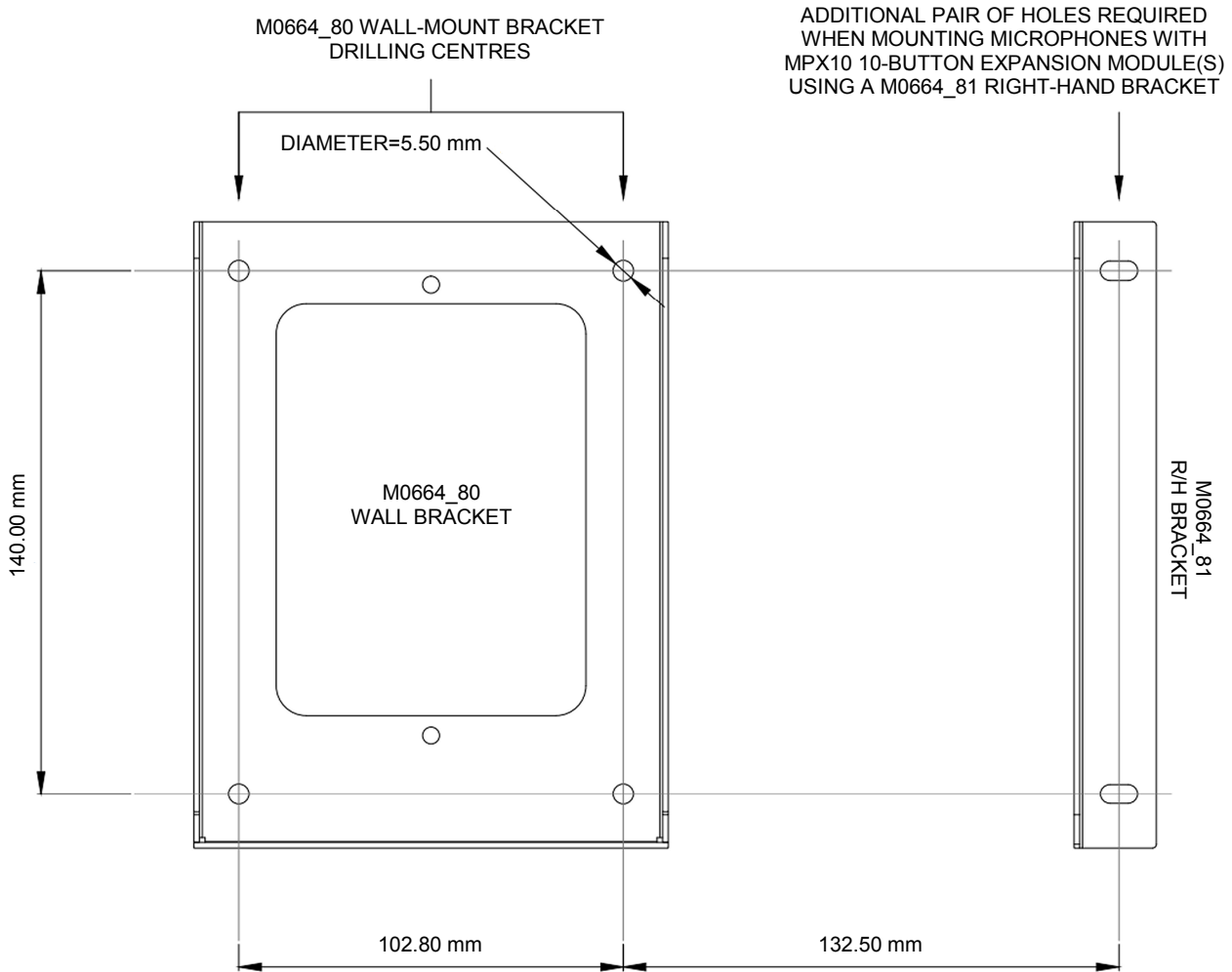
THIS DISTANCE IS CORRECT FOR
MOUNTING A MPS10 UNIT.


INCREASE THIS DISTANCE BY A FURTHER 110 mm FOR EACH
ADDITIONAL MPX10 10-BUTTON EXPANSION MODULE (e.g. FOR
A MPS20 THIS DISTANCE WOULD BE 220 mm)

Note: Wall-mount and desk/console mounting option is only available for MPS01, MPS10 and MPS20.

Note that if fixing the microphone to a flat desk or console, it is suggested that the alternate drilling centres shown below are used, and that the wall bracket (and R/H bracket if used) be rotated by 180 degrees in order to impart an aesthetically pleasing slant to the mounted unit.

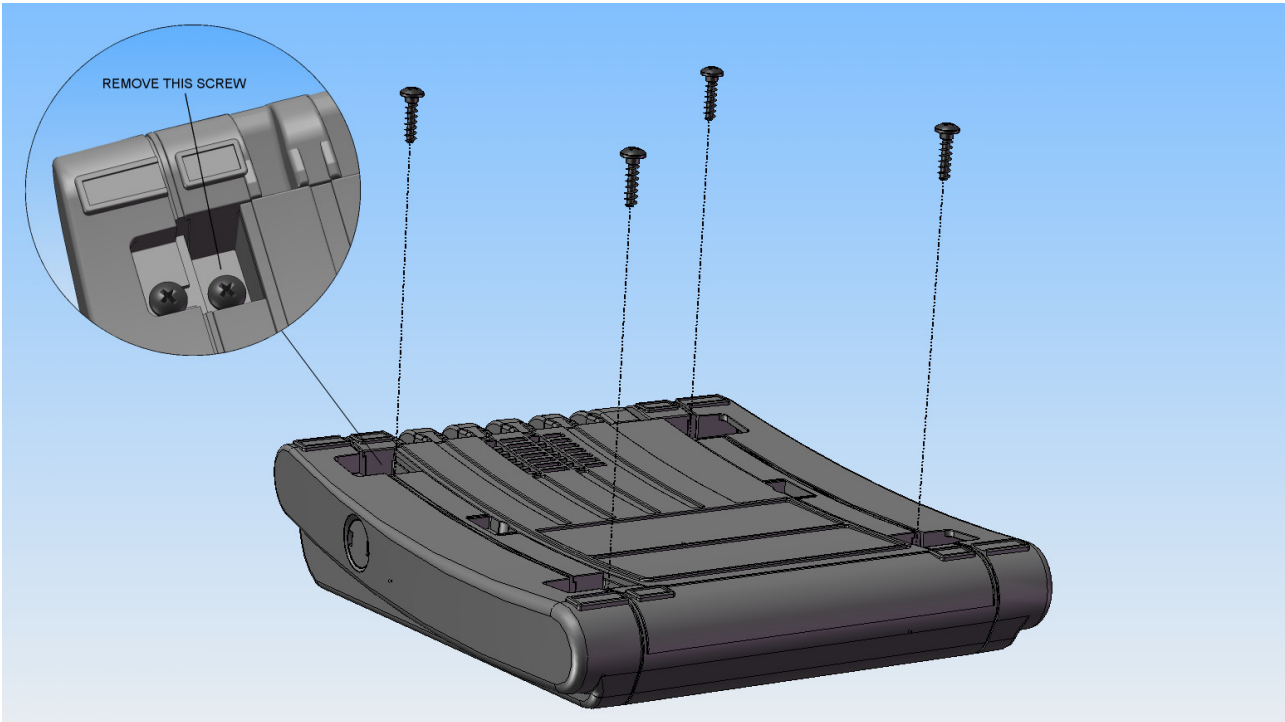
DESK/CONSOLE-MOUNTING



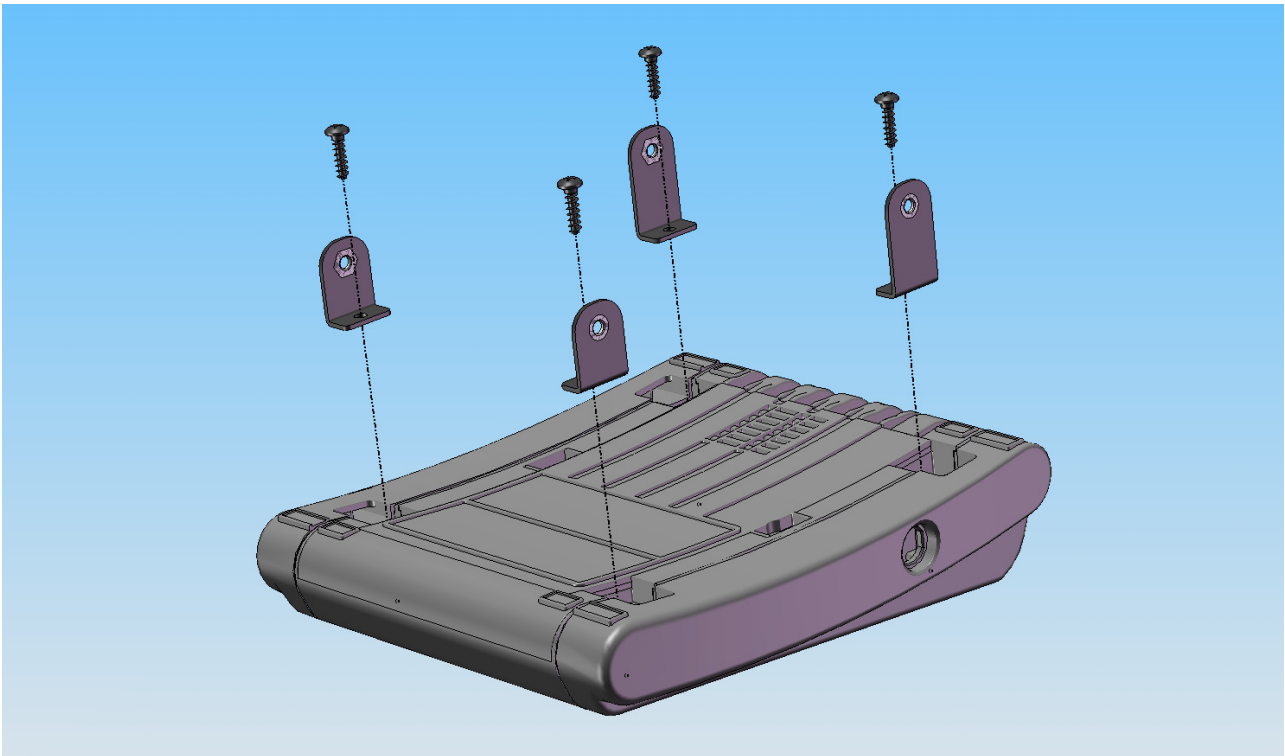
 Mount the MPS microphone at eye height for best viewing angle of the LCD display.

THIS DISTANCE IS CORRECT FOR MOUNTING A MPS10 UNIT.
 INCREASE THIS DISTANCE BY A FURTHER 110 mm FOR EACH ADDITIONAL MPX10 10-BUTTON EXPANSION MODULE (e.g. FOR A MPS20 THIS DISTANCE WOULD BE 242.50 mm)

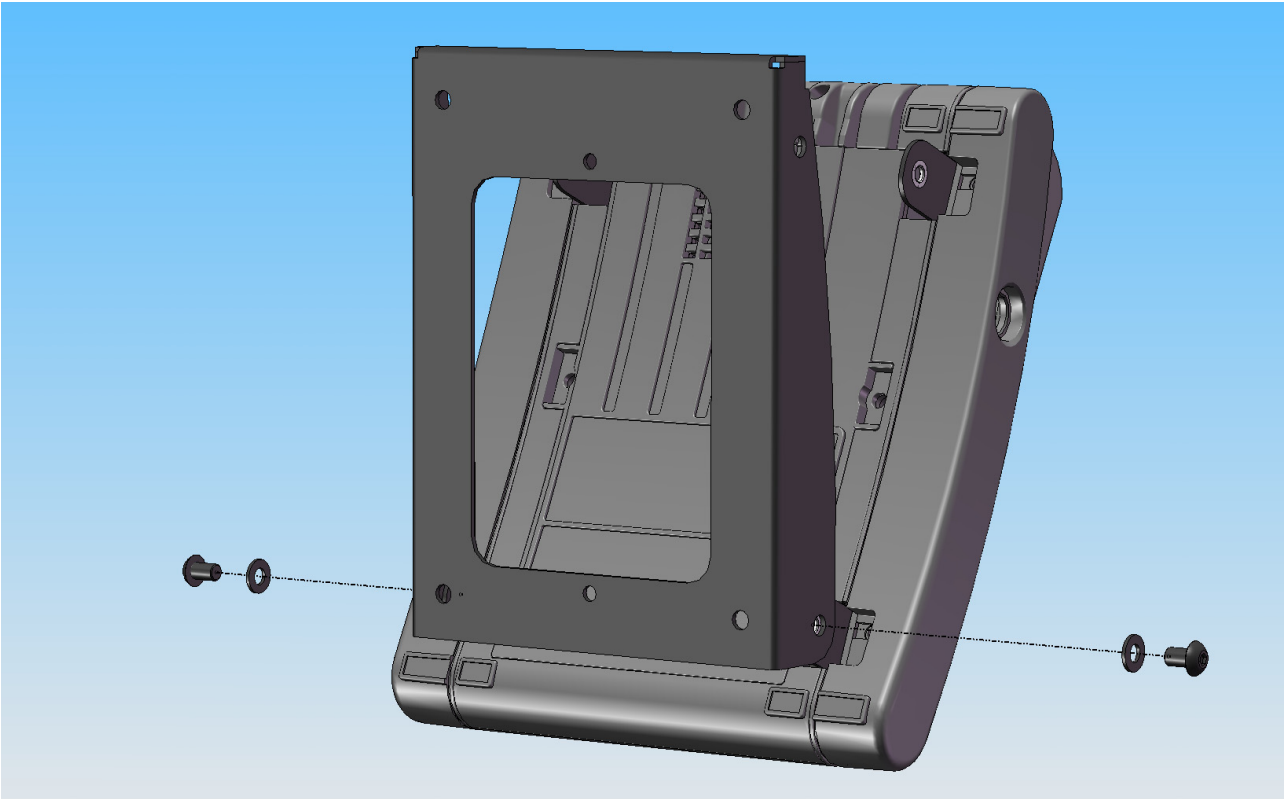
- 2) Remove the four Torx screws that retain the case bottom half using a T20 driver (do not remove the end cheeks' fixing screws).



- 3) Fit the long and short legs as shown below, using the four previously removed screws.



- 4) Offer up the microphone unit to the wall bracket and use two each of the supplied M5 screws and washers to fasten the microphone to the wall bracket as shown. Use a 3 mm A/F hex driver.



- 5) After wiring has been completed, the remaining two screws/washers can be used to fully lock the microphone to the wall bracket using a 3 mm A/F hex driver.

