



- Seawater-resistant
- External trigger
- Siren card available
- Wide temperature range
- Multiple dome colors

BARTEC TECHNOR's TNFCD/M series is an extreme duty flash beacon solution for use in hazardous location on- or offshore. Designed for the most demanding environments of the North Sea, the beacons have for more than 25 years proven their excellence, providing a low maintenance solution for operators and rig owners worldwide. Available in Ex de, Ex d or non-Ex. The beacon offers a multiple of options like power on when connected, external triggering or a siren card for acoustic warning.

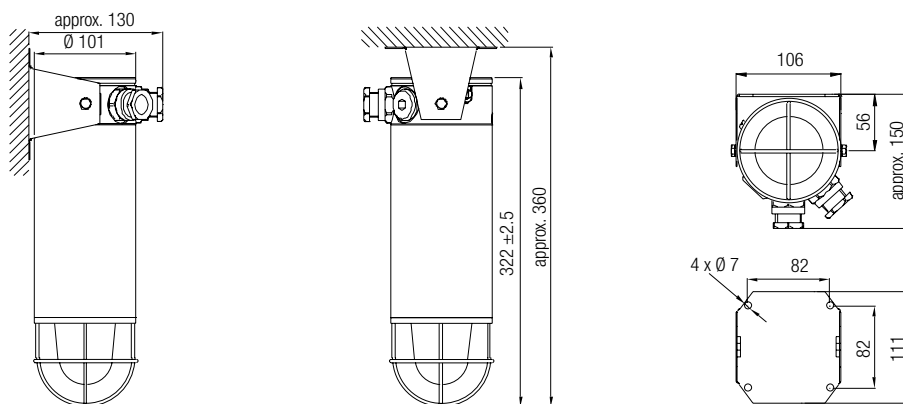
Explosion protection

Marking	
TNFCD	⊕ II 2G Ex d IIC T4 Gb or Ex de IIC T4 Gb
TNFCDM	⊕ II 2G Ex d IIC T4 Gb
Certification	NEMKO 01 ATEX 430
Other approvals and certificates, see www.bartec.de	
Ambient temperature	-50 °C to +60 °C (-58 °F to +140 °F)

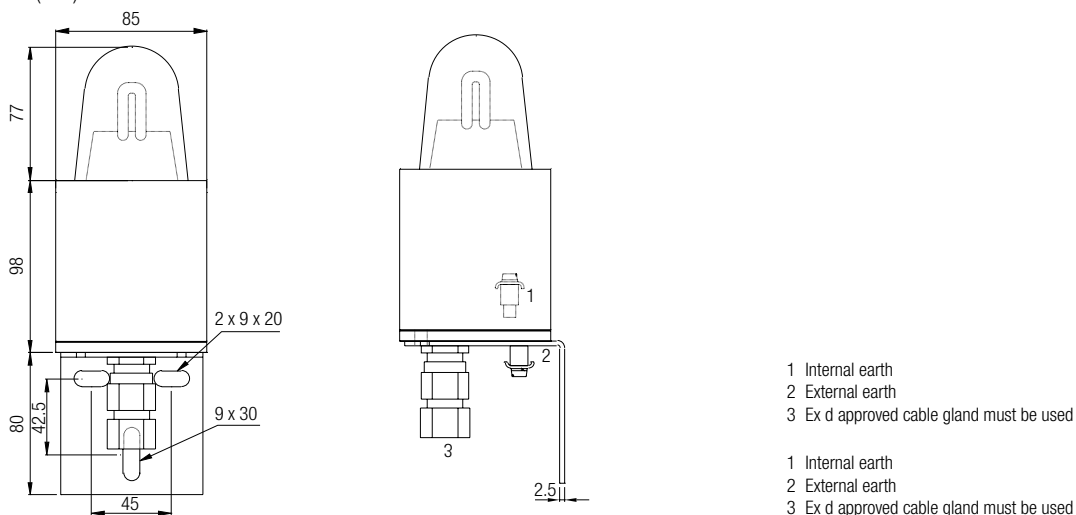
Technical data

Material	stainless steel 316L/CF-3M	
Surface treatment	machined/shot blasted SS316L	
Earth terminal	inside and outside	
Cable entry	TNFCD	Standard M25
	TNFCDM	Standard M25, M20 or flying lead on request
Real humidity	100 %	
Dome colours	red, yellow, blue, green, orange, clear	
Flash frequency	1 Hz	
Flash energy	TNFCD	10 joule
	TNFCDM	5 joule
Dimensions (width x depth)	TNFCD	130 mm x 360 mm (5.12 inch x 14.17 inch)
	TNFCDM	85 mm x 255 mm (3.35 inch x 10.04 inch)
Weight	TNFCD	5.1 kg (11,2 lbs)
	TNFCDM	2.5 kg (5.5 lbs)
Protection class	IP66 (IP67 upon request)	
Standards	EN/IEC: 60079-0, 60079-1, 60079-7, 50281-1-1	

Dimensions TNFCD (mm)



Dimensions TNFCDM (mm)



Flashing beacon TNFCD

Rated voltage	Voltage range	Rated current	Power consumption	Supply frequency	Typical start current	Triggering	Fuse	Siren card for acoustic warning
AC 220 to 254 V	±10 %	110 mA	24 VA	50/60 Hz	>1 A in max. 1 msec.	direct, telephone, DC 24 to 48 V, fail safe	1 to 2 A < time-lag fuse is recommended	8 W, 20 W or 25 W for Ex-loudspeaker (8 ohm, 20 ohm or 100 V line)
AC 110 to 120 V	±10 %	220 mA	24 VA	50/60 Hz				
DC 24 to 48 V	±10 %	DC 24 V/670 mA DC 48 V/330 mA	16 VA					

Flashing beacon TNFCDM

Rated voltage	Voltage range	Power consumption	Typical start current	Triggering
AC 220 to 254 V	AC 190 to 272 V	100 mA	1 A in max. 1 msec	direct
AC 110 to 127 V	±20 %	100 mA		
DC 24 V	±10 %	380 mA		
DC 48 V	±10 %	200 mA		