

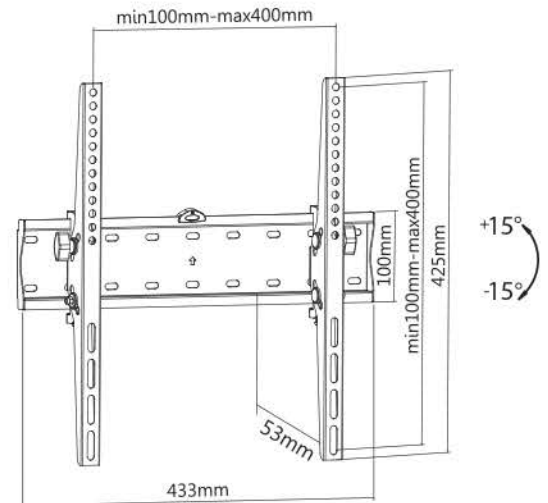
TV WALL MOUNT LED/PLAZMA/LCD



PRODUCT DESCRIPTION

SCREEN SIZE: 22" - 55"
TV WEIGHT: max. 50kg
VERTICAL ADJUSTMENT: +/-15°
VESA: compatible
VERTICAL HOLE SPACING:
min 100mm - max 400mm
Horizontal hole spacing:
min 100mm - max 400mm
DISTANCE TO THE WALL: 53 mm

Set includes: user manual,
installation kit



Package front

| MODEL | DL-T 55 CZ |
|---|---------------------|
| Single item dimension (including package) | 47 x 11,5 x 6 cm |
| Weight of single item (including package) | 1,6 kg |
| Material | Steel |
| Available colours | Black |
| Quantity in master carton | 10 |
| Dimension of master carton | 48,5 x 25 x 32,5 cm |
| Weight of master carton | 16,8 kg |
| Quantity on europalette (180x120x80) | 360 |

Kod EAN

