



50 GEU 7800B

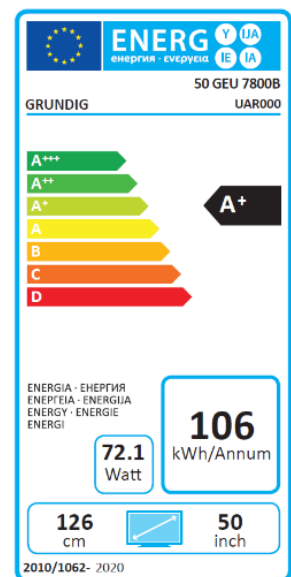
50" / 126 cm

Model type: 50 GEU 7800B

Color: Black

EAN Code: 4013833045984

Product code: UAR000

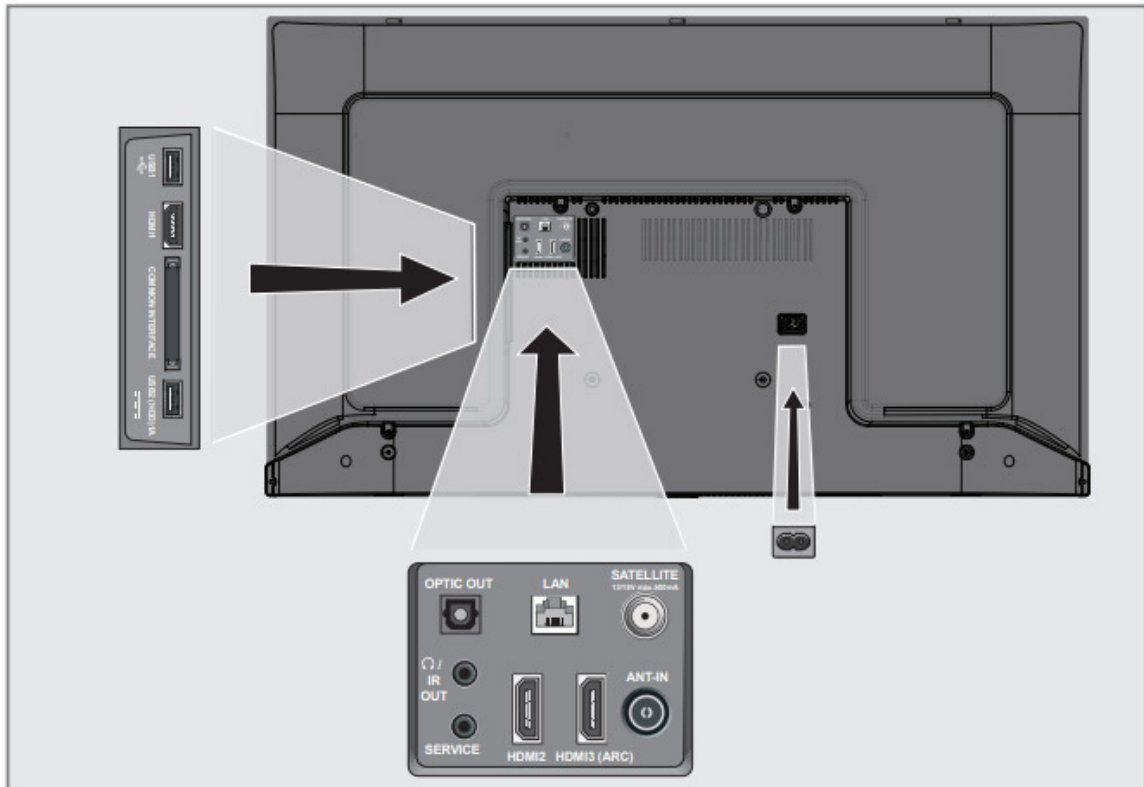


Technical data

FAMILY	CHARM NX SIDE STAND
SAP CODE	UAR000
MARKETING CODE	50 GEU 7800B
MP STATUS	Active
DISPLAY SIZE	50"/126 cm
EAN CODE	4013833045984
CABINET (TV)	Charm
RESOLUTION	UHD (3.840x2.160)
COLOR (TV)	Black
CHASSIS (TV)	NX
DVB RECEPTION	DVB-T2/C/S2
PANEL FREQUENCY	50Hz
PPR	_N/A_
VPI	1100
PANEL	DIRECT LED (BMS)
HDR	Yes
WIDE COLOR GAMUT	No
LOCAL DIMMING	No
MICRO DIMMING	No
3D	No
HEVC/H.265	Yes
ENERGY CLASS (EP)	A
HDMI (TV)	No
HDMI 2.0	3
HDMI CEC	Yes
HDMI ARC	Yes
USB	2
USB 3.0	No
USB RECORDING	Yes
CI	(CI+)
ETHERNET	Yes
WIFI	Internal
BLUETOOTH (TV)	No
12V	No
COMPONENT	No
PC INPUT	No
SCART	No
HEADPHONES	Yes
3D GLASSES	No
REMOTE CONTROL	TS1 (Netflix)
MOTION PICTURE IMPROVEMENT	No
CONTRAST	DCR PLUS

APPSTORE	Yes (Netrange)
HBB TV	Yes
PAT - PIP - PAP	No
OPEN BROWSER	Yes
SKYPE	No
NETFLIX	Yes
MIRACAST	Yes (OneWay)
CAPTURE TV SCREEN	No
DLNA	No
SPEAKER	2 wide band at the front side
SRS	No
DTS	No
AUDIO AMPLIFIER	2 x 8/16 W nominal/music power (R/L)
WOOFER	No
DOLBY DIGITAL	Yes
AUTO CHANNEL SEARCH	Yes
EPG	Yes, 8 days via DVB-T, DVB-T2, DVB-C, DVB-S2
AUTO SWITCH OFF	Yes
ON-OFF TIMER	Off Timer
2D/3D CONVERTER	No
DIVX+HD	No
AVL	Yes
ON/OFF SWITCH	Tact switch
VOLTAGE (V)	220-240
FREQUENCY (HZ)	50-60
STAND	Yes
WALL FIXTURE	200 x 200 mm
CABINET WITH STAND (WXHxD)	1121,7 x 705 x 239,8 mm
CABINET WITHOUT STAND (WXHxD)	1121,7 x 658 x 82,7 mm
WEIGHT - UNPACKED (KG)	11.200 kilograms
WEIGHT - PACKED (KG)	15.000 kilograms
PACKAGING (WXHxD)	1217 x 756 x 169 mm
PACKAGING TYPE	Carton kraft flexo 2-color
DIGITAL EUROPE CERTIFICATION	No
AUDIO	Magic Fidelity
STAND FOOT DISTANCE	884,1mm
PROCESSOR (TV)	Quad Core

Connections



- **USB 1:** For data media and keyboard.
- **HDMI1:** Input for digital audio and image data.
- **CI:** For CA modules for receiving scramble channels.
- **USB2 (HDD):** Data media such as an external hard disk to record programs will be connected here.
- **Optic Out:** optical audio output.
- **Ⓞ/IR OUT:** External audio output or headphone jack with adapter. IR Out is not available on this product.
- **SERVICE:** Service only.
- **LAN:** Network connection.
- **HDMI2:** Input for digital audio and image data.
- **HDMI3 (ARC):** Input for digital audio and image data.
- **SATELLITE:** Input for satellite antenna signal. Suitable for single-cable SCR system.

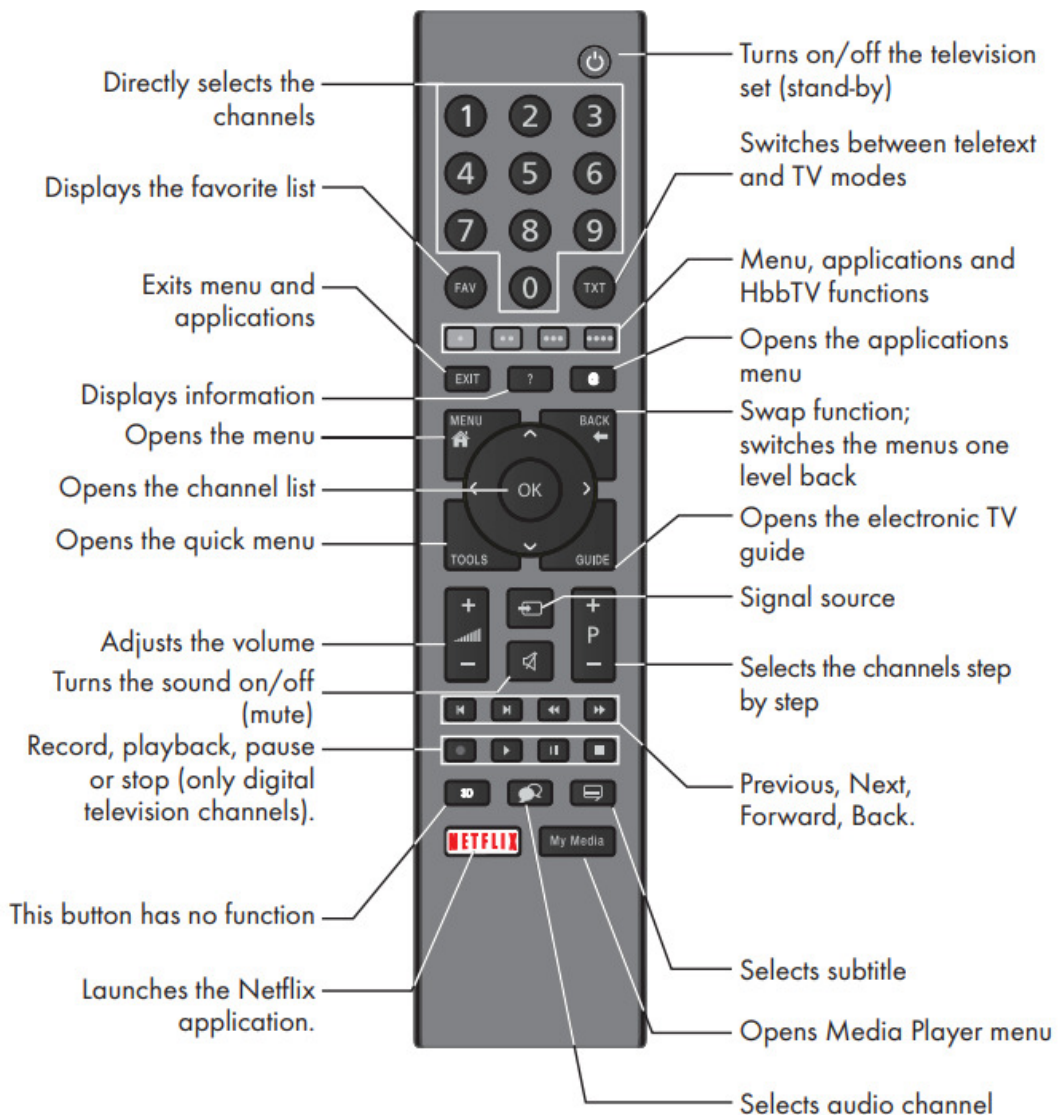
- **ANT IN:** For antenna cable (terrestrial antenna or cable connection).
- **AC IN:** Power cord input.

Buttons of the remote control

Turning on the television and switching it to standby mode

1. Press **Ⓞ/I** to turn on the television in the stand-by mode.
2. Press **Ⓞ/I** to switch the television to the stand-by mode.

Remote control



Cursor Control



Moves the cursor up and down in the menus.

Moves the cursor left/right in menus.

Opens channel list; activates various functions.